

GENERAL PROJECT NOTES

SUMMARY OF WORK

INTERIOR ALTERATION OF EXISTING 4088SF WAREHOUSE TO A NEW OFFICE. PROVIDE ALL NECESSARY ARCHITECTURAL, ELECTRICAL & HVAC & PLUMBING WORK.

GENERAL INSTRUCTIONS

THESE DRAWINGS ARE SCOPE DOCUMENTS INDICATING THE GENERAL PROJECT DESIGN CONCEPT, DIMENSIONS OF THE PROJECT, MAJOR ARCHITECTURAL ELEMENTS, AND BASIC ORGANIZATION OF MECHANICAL, ELECTRICAL AND PLUMBING SYSTEMS. AS SCOPE DOCUMENTS, THESE DRAWINGS DO NOT NECESSARILY DESCRIBE OR INDICATE ALL MATERIALS OR WORK REQUIRED FOR FULL PERFORMANCE AND COMPLETION OF THE PROJECT. ON THE BASIS OF THE GENERAL SCOPE INDICATED OR DESCRIBED, THE CONTRACTOR(S) SHALL FURNISH ALL ITEMS REQUIRED FOR PROPER EXECUTION AND COMPLETION OF THE PROPOSED PROJECT. THE ARCHITECT IS NOT RESPONSIBLE FOR THE FAILURE OF THE CONTRACTOR(S) TO EXECUTE NECESSARY WORK OR TO SUPPLY REQUIRED MATERIALS FOR PROPER COMPLETION OF THIS PROJECT. FURTHER MORE THE ARCHITECT MAKES NO WARRANTY EXPRESSED OR IMPLIED ON THESE DOCUMENTS.

DUE TO THE NATURE OF THIS WORK THE ARCHITECT DOES NOT WARRANT THE EXISTING CONDITIONS AS DEPICTED IN THESE DRAWINGS AS BUILT CONDITIONS. THE MEASUREMENTS ON THESE DRAWINGS ARE REASONABLY ACCURATE FOR THE PURPOSE OF "FIGURING." HOWEVER, IN THE EXECUTION OF WORK ON THE JOB, DO NOT SCALE DRAWINGS. EACH CONTRACTOR IS REQUIRED TO VERIFY ALL DIMENSIONS WITH THE ACTUAL CONDITIONS AND TO REPORT ANY DISCREPANCIES TO THE ARCHITECT, OWNER, OR THE OWNER'S REPRESENTATIVE.

CONTRACTOR SHALL OBTAIN AND PAY FOR ANY PERMITS AND FEES REQUIRED TO PERFORM THE WORK, UNLESS DIRECTED OTHERWISE BY OWNER.

EACH CONTRACTOR SHALL BE RESPONSIBLE FOR STORAGE AND SAFETY OF HIS OWN MATERIALS AND WORK, AND FOR PROPERLY REMOVING HIS DEBRIS FROM THE JOB SITE. GENERAL CONTRACTOR (GC) SHALL PROVIDE FOR ALL SITE DEMOLITION AND DEBRIS REMOVAL REQUIRED TO PERFORM NEW CONSTRUCTION WHILE ADEQUATELY MAINTAINING THE PREMISES AND ADJACENT PREMISES TO INSURE NORMAL OCCUPANCY AND SECURITY. THE GC SHALL COORDINATE PROPER TRANSPORTATION AND STORAGE OF BUILDING MATERIALS ON THE SITE TO AVOID OVERLOADING OF EXISTING FLOOR.

CONTRACTORS INSTALLING PIPES, DUCTS AND CONDUIT WILL BE REQUIRED TO DO ALL CUTTING AND PATCHING IN CONNECTION WITH THEIR WORK, INCLUDING EXCAVATION AND DIGGING. THE OWNER WILL ASSUME NO RESPONSIBILITY FOR THE COST OF CHANGES OR EXTRA WORK MADE NECESSARY BY THE FAILURE OF TRADES TO COORDINATE THEIR WORK DURING CONSTRUCTION.

WHERE APPLICABLE THE GC SHALL CONSTRUCT PHYSICAL BARRIERS AROUND AREAS UNDER CONSTRUCTION AS REQUIRED TO ENSURE GENERAL PUBLIC AND PERSONAL SAFETY.

THE GC SHALL SUPERVISE AND DIRECT THE WORK. HE SHALL BE SOLELY RESPONSIBLE FOR ALL CONSTRUCTION MEANS, METHODS, TECHNIQUES, SEQUENCES AND PROCEDURES. THE GC SHALL BE RESPONSIBLE FOR COORDINATING ALL PORTIONS OF THE WORK UNDER HIS CONTRACT. ALL WORK SHALL BE COMPLETED USING PRACTICES ACCEPTED AND ENDORSED BY THE CORRESPONDING TRADE INDUSTRIES.

THE TERM "PROVIDE" SHALL MEAN TO FURNISH AND INSTALL.

THE CONTRACT AND SUBCONTRACT AMOUNTS SHALL PROVIDE COMPLETE WORKING MECHANICAL, ELECTRICAL AND PLUMBING SYSTEMS COMMENSURATE WITH THE REQUIREMENTS OF THE CONTRACT DOCUMENTS AND THE APPLICABLE CODES.

WHEN WALLS ARE TO BE "ALIGNED", THE ALIGNMENT OF SUCH WALLS IS TO THE OUTSIDE FINISHED SURFACE, SUCH AS DRYWALL SURFACE.

ALL DIMENSIONS SHOWN ARE TO FINISH FACE OF WALL UNLESS NOTED OTHERWISE. DIMENSIONS AND NOTES FOR A GIVEN CONDITION ARE TYPICAL FOR ALL SIMILAR CONDITIONS UNLESS NOTED OTHERWISE.

WHERE NEW WORK ADJOINS EXISTING, ALL SUCH NEW WORK SHALL BE PROPERLY INTEGRATED WITH THE EXISTING TO ENSURE UNIFORM APPEARANCE. ANY REPAIR WORK REQUIRED TO EXISTING WORK SHOULD BE TAKEN CARE OF BY THE CONTRACTOR - PROVIDING ALL NECESSARY CUTTING, FITTING AND PATCHING AND SHALL FURNISH ALL NECESSARY LABOR AND MATERIALS FOR THIS WORK. ALL WORK REQUIRING SPECIAL DETAILING, AND NOT DETAILED ON THE DRAWINGS SHOULD BE BROUGHT TO THE ATTENTION OF THE ARCHITECT / OWNER.

THE GENERAL CONTRACTOR SHALL COORDINATE ALL TRADES TO AVOID INTERFERENCE, TO PRESERVE MAXIMUM HEADROOM, AND AVOID OMISSIONS.

THE ARCHITECT HAS NO CONTRACTUAL DUTY TO CONTROL MEANS AND METHODS OF THE WORK NOR TO PROVIDE JOB SITE SUPERVISION, ENSURE SAFETY OR CONSTRUCTION MANAGEMENT AND DOES NOT VOLUNTARILY ASSUME ANY SUCH RESPONSIBILITIES.

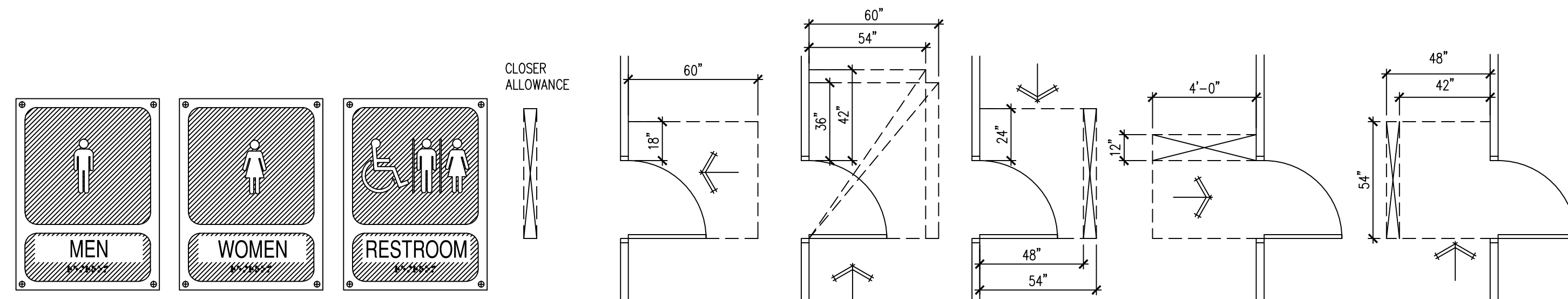
INTERIOR BUILD-OUT A NEW OFFICE IN THE EXISTING WAREHOUSE PERMIT SUBMITTAL

2700 GALVIN DRIVE ELGIN IL 60124

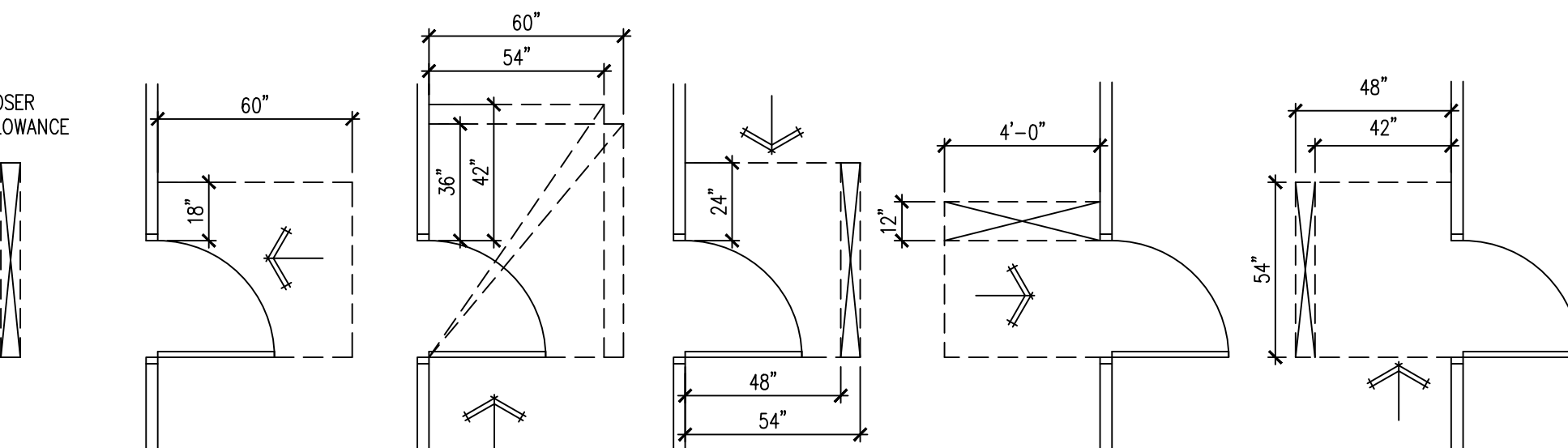


ACCESSIBILITY REQUIREMENTS

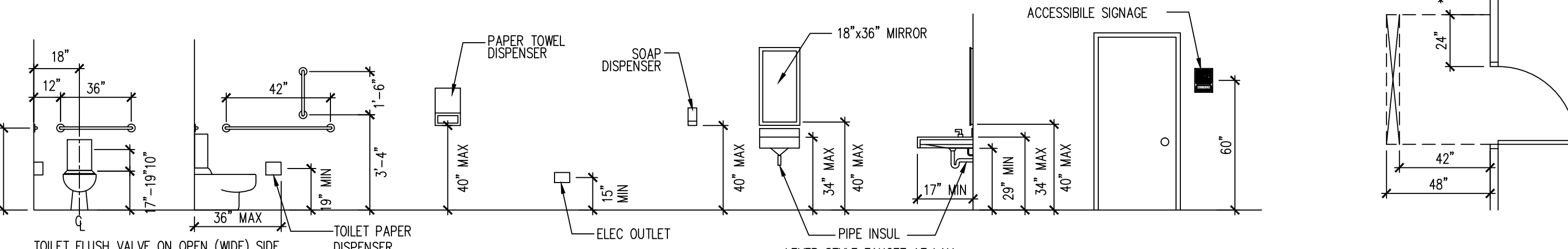
TOILET ROOMS REQUIRED TO BE ACCESSIBLE SHALL CONFORM TO ALL ACCESSIBILITY REQUIREMENTS OF THE AMERICANS WITH DISABILITIES ACT WHICH INCLUDES, BUT IS NOT LIMITED TO THE FOLLOWING:



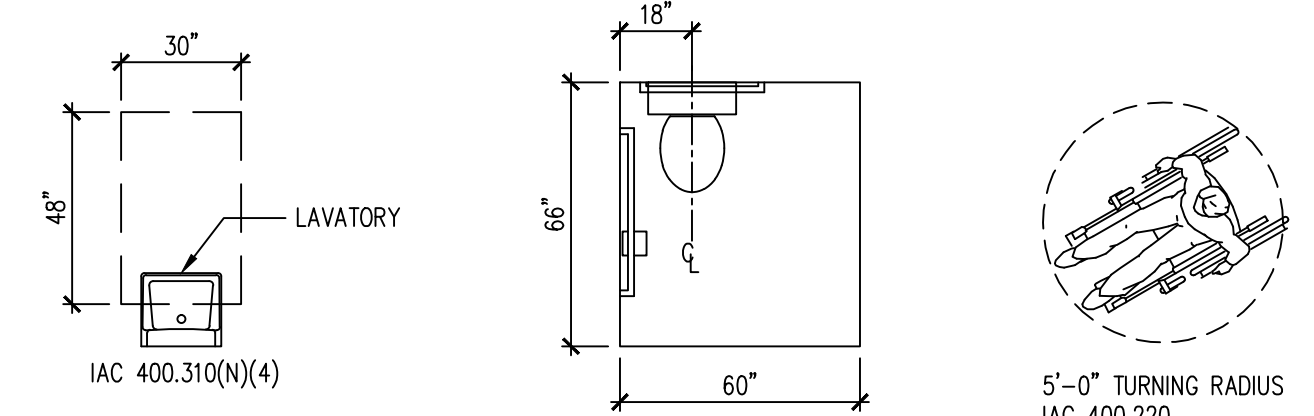
C ACCESSIBLE SIGNAGE
NOT TO SCALE



D DOOR MANEUVERING CLEARANCE
NOT TO SCALE



E ACCESSIBLE MOUNTING HEIGHTS
NOT TO SCALE



B TYPICAL ACCESSIBILITY REQUIREMENTS
NOT TO SCALE

INDEX OF DRAWINGS

- A0 PROJECT NOTES & SITE PLAN
- A1 EXISTG WAREHOUSE FLOOR PLAN
- A2 OCCUPANCY & EXITING DIAGRAM, OFFICE REFLECTED CEILING PLAN
- A3 NEW OFFICE FLOOR PLAN & SCHEDULES
- E1 SERVICE DIAGRAM
- E2 OFFICE ELECTRICAL PLANS & NOTES
- M1 OFFICE MECHANICAL PLAN & NOTES
- P1 PLUMBING PLAN & NOTES

A SITE PLAN
NOT TO SCALE

CODE DATA

ALL CONSTRUCTION SHALL BE IN ACCORDANCE WITH ALL APPLICABLE FEDERAL, STATE AND MUNICIPAL LAWS, ORDINANCES, STANDARDS AND REGULATORY AGENCIES INCLUDING BUT NOT LIMITED TO THE REQUIREMENTS (INCLUDING LOCAL AMENDMENTS) OF

- 2015 INTERNATIONAL BUILDING CODE W/ LOCAL AMENDMENTS
- 2015 INTERNATIONAL MECHANICAL CODE W/ LOCAL AMENDMENTS
- 2018 INTERNATIONAL ENERGY CONSERVATION CODE
- 2014 NATIONAL ELECTRIC CODE
- 2014 STATE OF ILLINOIS PLUMBING CODE
- 2015 INTERNATIONAL FIRE CODE
- 2015 INTERNATIONAL FUEL & GAS CODE
- NFPA LIFE SAFETY CODE, 2012
- 2018 STATE OF ILLINOIS ACCESSIBILITY CODE

PROJECT DATA

USE GROUP CLASSIFICATION	F-2
CONSTRUCTION TYPE	I-B
TOTAL FLOOR AREA	90900SF
EXIT ACCESS TRAVEL DISTANCE	184 FT MAXIMUM
AUTOMATIC SPRINKLERS	YES
NEW OFFICE FLOOR AREA	4088 / 200 = 20 OCCUPANTS
WAREHOUSE FLOOR AREA	86668/500 = 173 OCCUPANTS
TOTAL OCCUPANT LOADS	193 OCCUPANTS
MAXIMUM HEIGHT	1 STORY
REQUIRED NUMBER OF EXITS:	5 ACTUAL 7
MINIMUM CORRIDOR WIDTH	48"

We Tan

I HEREBY CERTIFY THAT THESE DRAWINGS ARE PREPARED BY ME OR UNDER MY SUPERVISION AND TO THE BEST OF MY KNOWLEDGE CONFORM WITH APPLICABLE CODES.

LIC EXPIRES NOV 30, 2022

OWNER
2700 GALVIN DRIVE
ELGIN IL 60124

WEI TAN
2425 S WENTWORTH AVE.
CHICAGO IL 60616

PHONE: (312) 912-5798
EMAIL: twarchitect98@yahoo.com

LICENSE NO: 001-022013
EXPIRES: 11/30/2022

MFP ENGINEER
236 W ALEXANDER STREET
CHICAGO IL 60616

PHONE: (312) 720-8800
BILLY_WANG68@HOTMAIL.COM
LICENSE NO: 062.068227
EXPIRES: 11 / 30 /2023

INTERIOR BUILD-OUT A NEW OFFICE IN THE EXISTING WAREHOUSE
2700 GALVIN DRIVE ELGIN IL 60124

ISSUES	DATE
ISSUED FOR PERMIT	10/08/2021



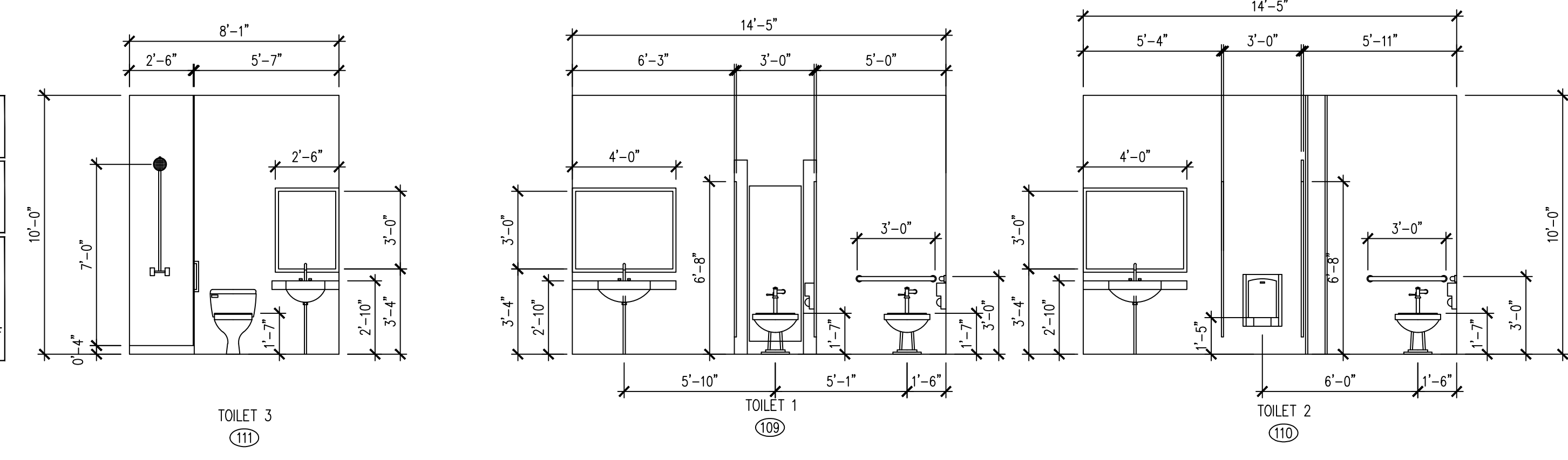
PROJECT NOTES & SITE PLAN

SHEET NUMBER
A0

THE TOILET FLUSH HANDLE SHALL BE LOCATED ON THE WIDE SIDE OF THE TOILET

ACCESSIBLE TOILETS SHALL BE LOCATED 16'-18" OFF THE SIDE WALL. ZERO TOLERANCE OUTSIDE THIS RANGE.

URINAL FLUSH HANDLE SHALL NOT BE LOCATED GREATER THAN 48" AFF. URINAL SHALL BE A MIN. OF 13.5" DEEP FROM THE BACK OF FIXTURE TO THE OUTER FACE OF URINAL.



FLR. MTD. PREFIN. MTL. TLT. PARTITION + 24" DEEP URINAL SCREEN

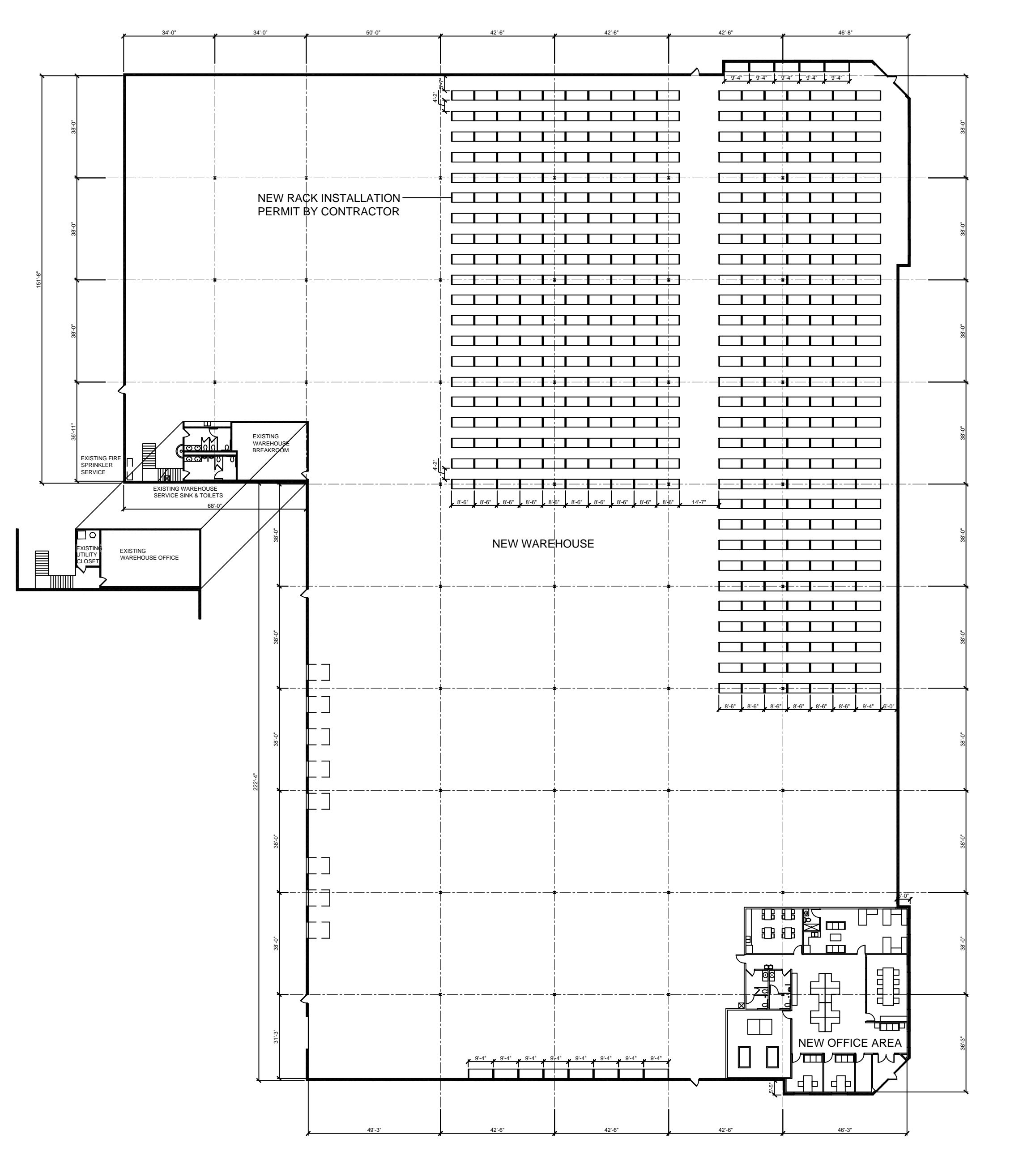
CERAMIC WALL TILE TO 4'-0" - SEE ROOM FIN SCHED

1/4" PLATE GLASS MIRROR IN ST. STL. FRAME

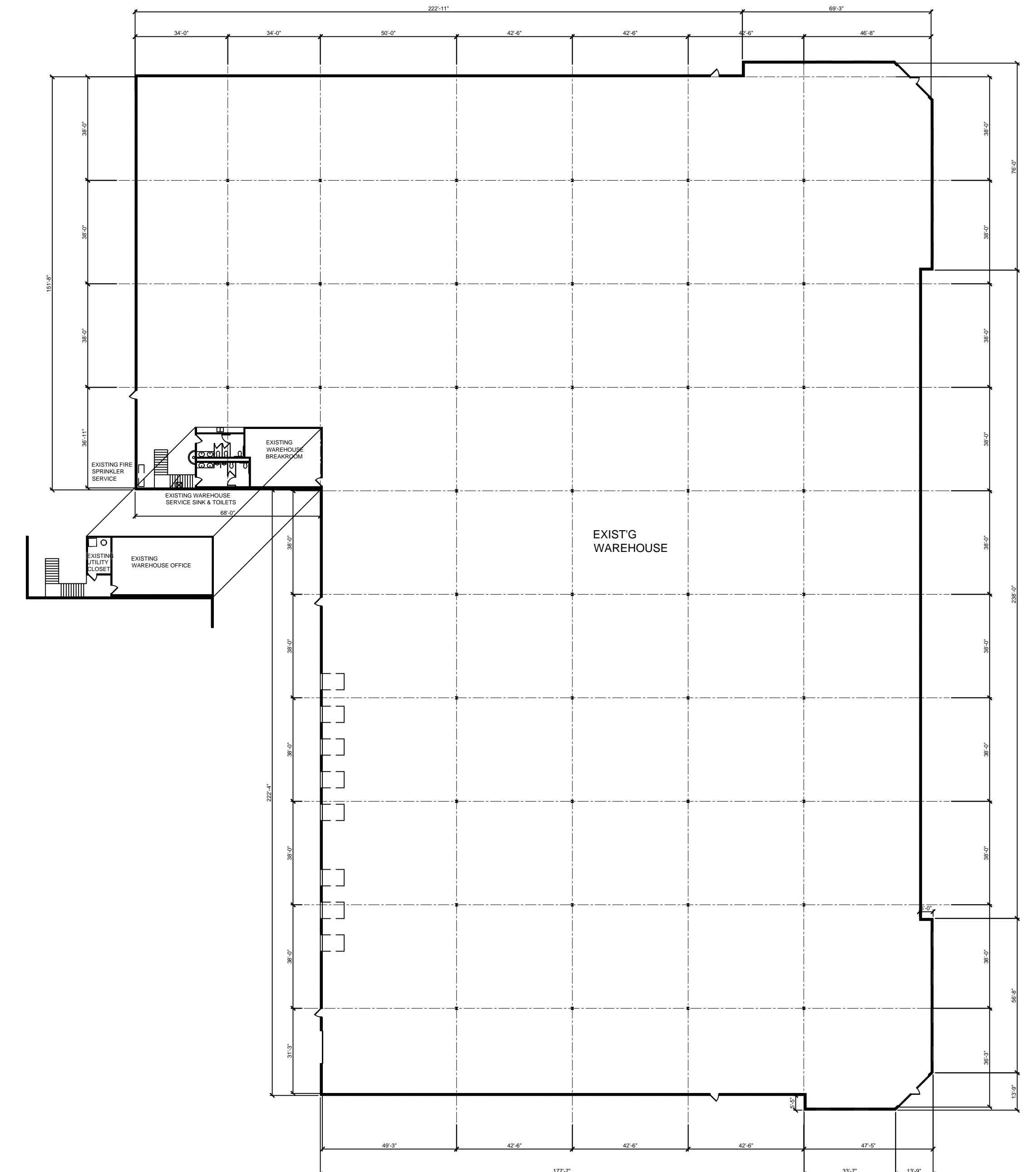
TOILET PAPER DISPENSER

PROVIDE (1) SANITARY NAPKIN DISPOSAL PER STALL

INSULATE ALL EXPOSED HOT WATER & DRAIN PIPES (TYP.)



A NEW FLOOR PLAN
SCALE 1/32" = 1'-0"



B EXIST'G WAREHOUSE FLOOR PLAN
SCALE 1/32" = 1'-0"

OWNER
2700 GALVIN DRIVE
ELGIN IL 60124

WEI TAN
2425 S WENTWORTH AVE.
CHICAGO IL 60616

PHONE: (312) 912-5798
EMAIL: twarchitect98@yahoo.com

LICENSE NO: 001-022013
EXPIRES: 11/30/2022

MEP ENGINEER
236 W ALEXANDER STREET
CHICAGO IL 60616

PHONE: (312) 720-8800
BILLY_WANG68@HOTMAIL.COM
LICENSE NO: 062.068227
EXPIRES: 11 / 30 / 2023

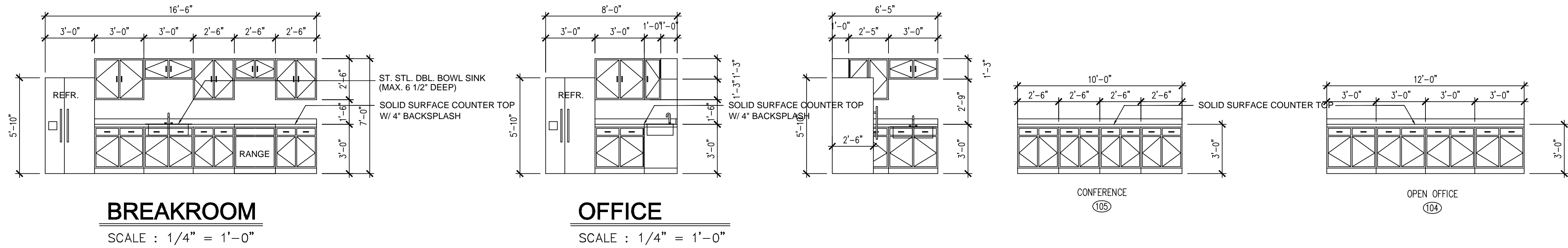
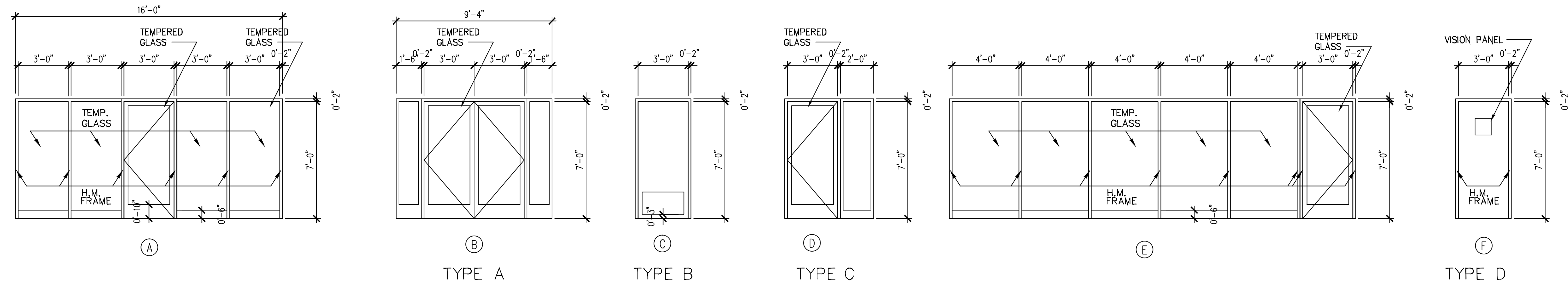
INTERIOR BUILD-OUT A NEW OFFICE IN
THE EXISTING WAREHOUSE
2700 GALVIN DRIVE ELGIN IL 60124

ISSUES	DATE
ISSUED FOR PERMIT	10/08/2021



EXISTING WAREHOUSE FLOOR PLAN

SHEET NUMBER
A1

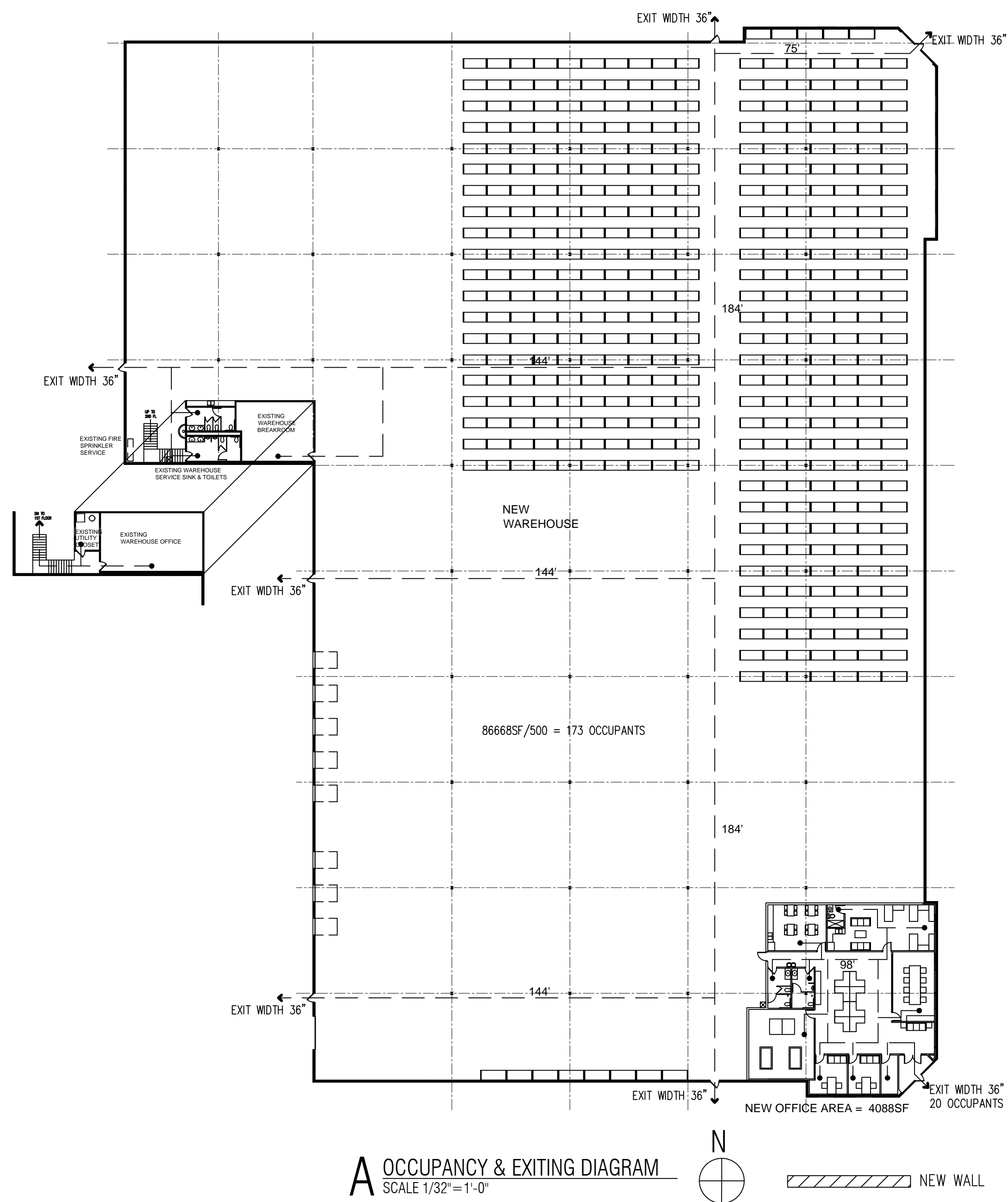


BREAKROOM

SCALE : 1/4" = 1'-0"

OFFICE

SCALE : 1/4" = 1'-0"



A OCCUPANCY & EXITING DIAGRAM
SCALE 1/32" = 1'-0"



B NEW OFFICE REFLECTED CEILING PLAN
SCALE 1/4" = 1'-0"

OWNER
2700 GALVIN DRIVE
ELGIN IL 60124

WEI TAN
2425 S WENTWORTH AVE.
CHICAGO IL 60616

PHONE: (312) 912-5798
EMAIL: twarchitect98@yahoo.com
LICENSE NO: 001-022013
EXPIRES: 11/30/2022

MFP ENGINEER
236 W ALEXANDER STREET
CHICAGO IL 60616

PHONE: (312) 720-8800
BILLY_WANG68@HOTMAIL.COM
LICENSE NO: 062.068227
EXPIRES: 11 / 30 / 2023

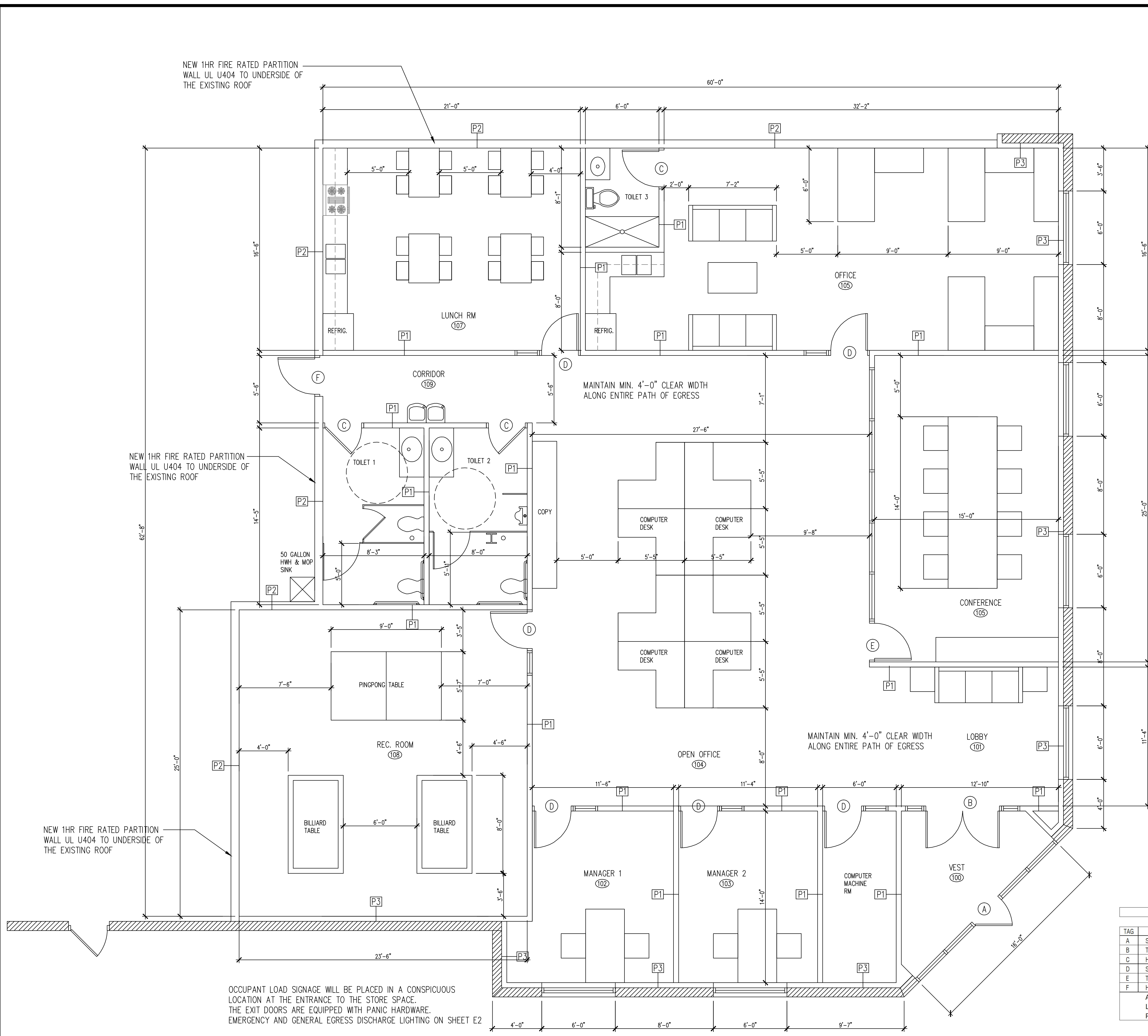
INTERIOR BUILD-OUT A NEW OFFICE IN
THE EXISTING WAREHOUSE
2700 GALVIN DRIVE ELGIN IL 60124

ISSUES	DATE
ISSUED FOR PERMIT	10/08/2021



OCCUPANCY
& EXITING
DIAGRAM
REFLECTED
CEILING PLAN
SHEET NUMBER

A2



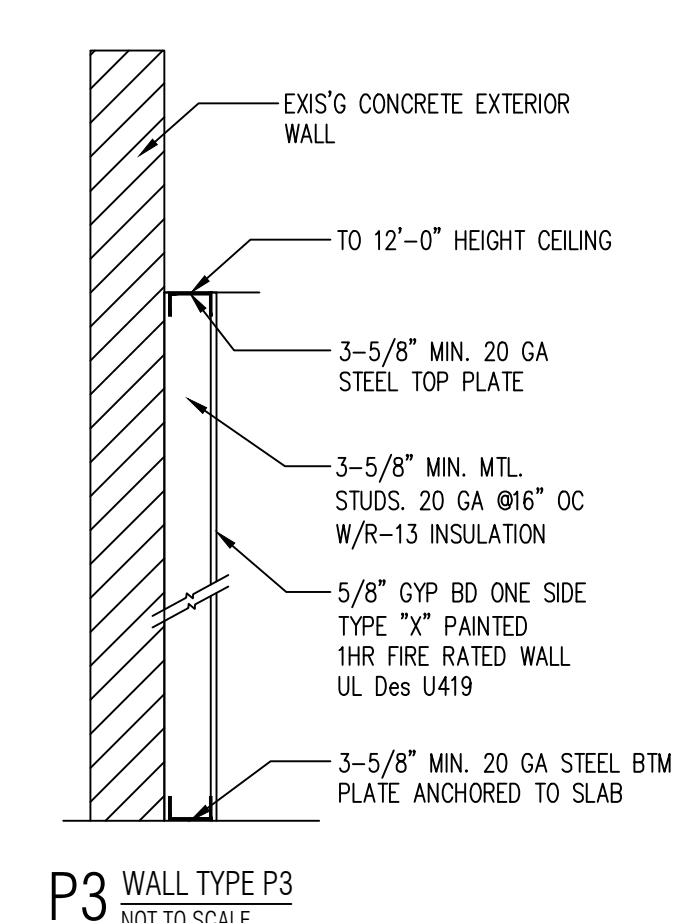
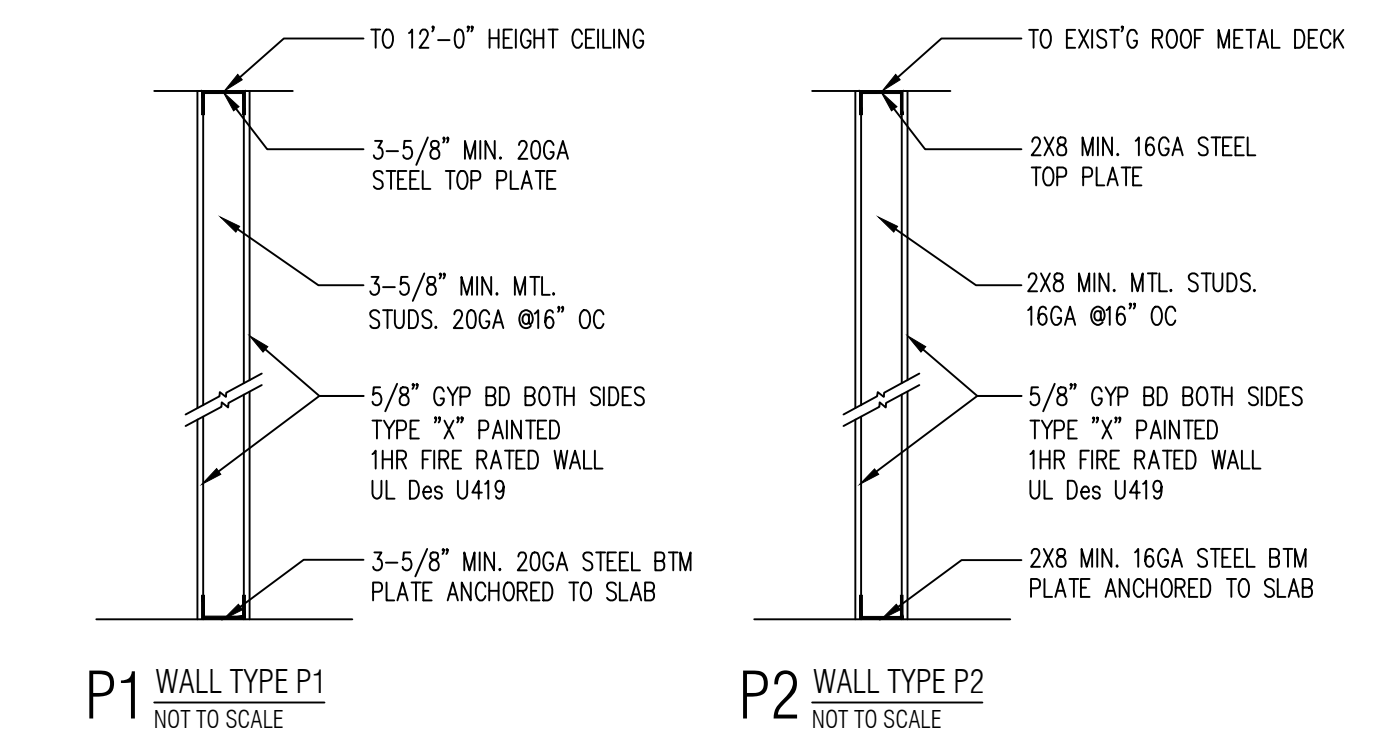
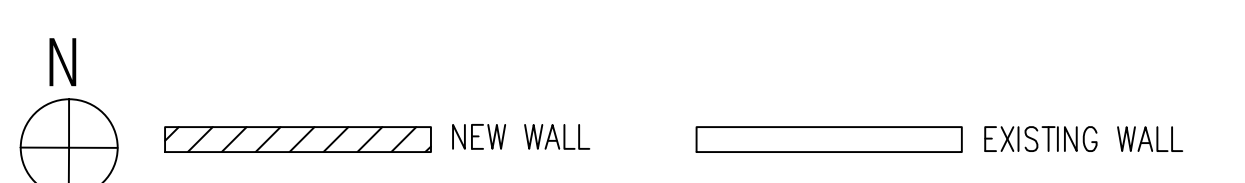
NEW 1HR FIRE RATED PARTITION WALL UL U404 TO UNDERSIDE OF THE EXISTING ROOF

NEW 1HR FIRE RATED PARTITION WALL UL U404 TO UNDERSIDE OF THE EXISTING ROOF

NEW 1HR FIRE RATED PARTITION WALL UL U404 TO UNDERSIDE OF THE EXISTING ROOF

OCCUPANT LOAD SIGNAGE WILL BE PLACED IN A CONSPICUOUS LOCATION AT THE ENTRANCE TO THE STORE SPACE. THE EXIT DOORS ARE EQUIPPED WITH PANIC HARDWARE. EMERGENCY AND GENERAL EGRESS DISCHARGE LIGHTING ON SHEET E2

A NEW OFFICE FLOOR PLAN
SCALE 1/4"=1'-0"



HARDWARE SCHEDULE

TAG	DESCRIPTION
1	1 1/2 PAIR BUTT HINGES, W/ PRIVACY LOCKSET
2	1 1/2 PAIR BUTT HINGES, SELF CLOSING DEVICE, ACCESSIBLE HARDWARE
3	1 1/2 PAIR BUTT HINGES, PADDLE LATCH EXIT DEVICE AND DOOR CLOSER, PANIC HARDWARE

ROOM FINISH SCHEDULE

NO	ROOM	WALLS	BASE	FLOOR	CEILING
100	VEST	GYP PAINTED	FLOOR TILE	NEW FLOOR TILE	NEW 2'X2' ACOUSTIC CEILING
101	LOBBY	GYP PAINTED	FLOOR TILE	NEW FLOOR TILE	NEW 2'X4' ACOUSTIC CEILING
102	MANAGER 1	GYP PAINTED	FLOOR TILE	NEW FLOOR TILE	NEW 2'X4' ACOUSTIC CEILING
103	MANAGER 2	GYP PAINTED	FLOOR TILE	NEW FLOOR TILE	NEW 2'X4' ACOUSTIC CEILING
104	OPEN OFFICE	GYP PAINTED	FLOOR TILE	NEW FLOOR TILE	NEW 2'X4' ACOUSTIC CEILING
105	CONFERENCE	GYP PAINTED	LUXURY VINYL TILE	LUXURY VINYL TILE	NEW 2'X4' ACOUSTIC CEILING
106	OFFICE	GYP PAINTED	LUXURY VINYL TILE	LUXURY VINYL TILE	NEW 2'X4' ACOUSTIC CEILING
107	LUNCH ROOM	GYP PAINTED	FLOOR TILE	NEW FLOOR TILE	NEW 2'X4' ACOUSTIC CEILING
108	REC. ROOM	GYP PAINTED	LUXURY VINYL TILE	LUXURY VINYL TILE	NEW 2'X4' ACOUSTIC CEILING
109	TOILET 1	CERAMIC TILE	FLOOR TILE	NEW FLOOR TILE	NEW 2'X4' ACOUSTIC CEILING
110	TOILET 2	CERAMIC TILE	FLOOR TILE	NEW FLOOR TILE	NEW 2'X4' ACOUSTIC CEILING
111	TOILET 3	CERAMIC TILE	FLOOR TILE	NEW FLOOR TILE	NEW 2'X4' ACOUSTIC CEILING
112	COMPUTER MACHINE ROOM	GYP PAINTED	FLOOR TILE	NEW FLOOR TILE	NEW 2'X4' ACOUSTIC CEILING
113	CORRIDOR	GYP PAINTED	FLOOR TILE	NEW FLOOR TILE	NEW 2'X4' ACOUSTIC CEILING

CORRIDORS CLASS B (26-75)
OTHER SPACES : CLASS C (76-100)

DOOR SCHEDULE

TAG	DESCRIPTION	FRAME CONSTRUCTION	NOMINAL SIZE	DOOR FINISH	FRAME FINISH	LABEL	HARDWARE	COMMENTS
A	STORE FRONT GLASS DOOR	ALUMINUM	3'-0" x 7'-0"	TEMPERED GLASS	ALUMINUM	-	3	EXIST'G
B	TEMPERED GLASS DOOR	ALUMINUM	6'-0" x 6'-8"	TEMPERED GLASS	ALUMINUM	-	3	NEW
C	HOLLOW METAL DOOR	PRE-HUNG METAL	3'-0" x 6'-8"	PAINT	PAINT	-	2	NEW
D	SWING WOOD DOOR	PRE-HUNG METAL	3'-0" x 6'-8"	PAINT	PAINT	-	1	NEW
E	TEMPERED GLASS DOOR	ALUMINUM	3'-0" x 6'-8"	TEMPERED GLASS	ALUMINUM	-	1	NEW
F	HOLLOW METAL DOOR	PRE-HUNG METAL	3'-0" x 6'-8"	PAINT	PAINT	-	3	NEW

ALL EXIT DOORS MUST OPEN WITHOUT THE USE OF A KEY OR SPECIAL KNOWLEDGE FROM THE SIDE WHICH EGRESS IS MADE. LEVERED HANDLE HARDWARE AS REQUIRED BY ILLINOIS ACCESSIBILITY CODE. PROVIDE DOOR CLOSERS ALONG ALL ACCESSIBLE ROUTES.

OWNER
2700 GALVIN DRIVE
ELGIN IL 60124

WEI TAN
2425 S WENTWORTH AVE.
CHICAGO IL 60616

PHONE: (312) 912-5798
EMAIL: twarchitect98@yahoo.com

LICENSE NO. 001-022013
EXPIRES: 11/30/2022

MFP ENGINEER
236 W ALEXANDER STREET
CHICAGO IL 60616

PHONE: (312) 720-8800
BILLY_WANG68@HOTMAIL.COM
LICENSE NO. 062.068227
EXPIRES: 11 / 30 /2023

INTERIOR BUILD-OUT A NEW OFFICE IN
 THE EXISTING WAREHOUSE
 2700 GALVIN DRIVE ELGIN IL 60124

ISSUES	DATE
ISSUED FOR PERMIT	10/08/2021



OFFICE FLOOR PLAN & SCHEDULES

SHEET NUMBER
A3

GENERAL ELECTRICAL NOTE:

ELECTRICAL WORK TO BE PERFORMED ON A 'DESIGN BUILD BASIS'.

THE CONTRACTOR SHALL BE RESPONSIBLE FOR THE COMPLETE FOLLOWING THE DESIGN, ENGINEERING AND INSTALLATION OF THE ELECTRICAL SYSTEMS AND EQUIPMENT AND SHALL WARRANT TO THE OWNER THAT SUCH WORK SHALL ADEQUATELY MEET THE NEEDS AND THE REQUIREMENTS OF THE OWNER AND OF THE PROJECT AS PLANNED AND ITS INTENDED USES AS WELL AS COMPLY COMPLETELY WITH ALL APPLICABLE CODES, ORDINANCES, AND GOVERNING REGULATIONS. IN NO WAY SHALL A DESIGN BUILD ARRANGEMENT LIMIT THE RESPONSIBILITY OF THE CONTRACTOR TO COMPLETE HIS OR HER OBLIGATIONS TO MEET SUCH NEEDS AND REQUIREMENTS.

GENERAL CONTRACTOR SHALL REVIEW LOCATION OF ALL LIGHTING FIXTURES, FANS, AND OUTLETS IN FIELD WITH ELECTRICAL CONTRACTOR PRIOR TO ANY WORK.

DUE TO THIS IS EXISTING BUILDING, THERE ARE MANY RE-MODLATION IN THE OLD ELECTRICAL SYSTEM; THE ELECTRICAL CONTRACTOR IS RESPONSES TO VERY THE ELECTRICAL WIRING SYSTEM AND MAKE A NECESSARY CORRECTION AFTER NOTIFY THE OWNER/ENGINEER.

480V/277V/400AMP/3P/4W ELECTRICAL PANEL "LP-1"														
SERVICES	A	B	C	AMPS	CK	CK	AMPS	A	B	C	SERVICES	A	B	C
AB-1 SUB PANEL	18400	18400	18400	100	1	2	20	400	400	400	WAREHOUSE OUTLET 1			
WAREHOUSE LIGHT 1	12000			20	3	4	20				WAREHOUSE OUTLET 2			
WAREHOUSE LIGHT 2	12000	12000		20	5	6	20				WAREHOUSE OUTLET 3			
WAREHOUSE LIGHT 3	12000	12000	12000	20	7	8	15	900			WAREHOUSE OUTLET 4			
WAREHOUSE LIGHT 4	12000			20	9	10	15	100			WAREHOUSE OUTLET 5			
WAREHOUSE LIGHT 5	12000	12000		20	11	12	15	900			WAREHOUSE OUTLET 6			
WAREHOUSE LIGHT 6	12000	12000	12000	20	13	14	15	100			WAREHOUSE OUTLET 7			
WAREHOUSE LIGHT 7	12000			20	15	16	15				WAREHOUSE OUTLET 8			
WAREHOUSE LIGHT 8	12000	12000		20	17	18	15	900			WAREHOUSE OUTLET 9			
WAREHOUSE LIGHT 9	12000	12000	12000	20	19	20	125	1200			FRONT OFFICE			
WAREHOUSE LIGHT 10	12000			20	21	22		1200						
WAREHOUSE LIGHT 11	12000	12000		20	23	24		1200			MUA-2			
WAREHOUSE LIGHT 12	12000	12000	12000	20	25	26	20	1200						
LP-2 SUB PANEL	12000			100	27	28	20	1200			EXHAUST FAN-1			
TRANSFORMER 1	12000	12000	12000	20	29	30	3	1200						
				100	31	32	20	1200			EXHAUST FAN-2			
				100	33	34		1200						
				100	35	36	3	1200						
				100	37	38	20	1200						
				100	39	40		1200						
				100	41	42	3	1200						
SUBTOTAL	90400	90400	78400											
TOTAL PANEL LOAD	259200	0	312	AMPS			277/480V	3PH						

480V/277V/125AMP/3P/4W ELECTRICAL PANEL "LP-2"														
SERVICES	A	B	C	AMPS	CK	CK	AMPS	A	B	C	SERVICES	A	B	C
DOCK OUTLET	2240			20	1	2	30	3360			DOCK CHARGE			
DOCK OUTLETS	2240	2240		20	3	4	15	3360						
	2240	2240	2240	20	5	6	15	2724			WAREHOUSE OUTLET 1			
DOCK CHARGE		2240		20	7	8	15	2724			WAREHOUSE OUTLET 2			
		2240	2240	20	9	10	15	2724			WAREHOUSE OUTLET 3			
		2240	2240	20	11	12	15				WAREHOUSE OUTLET 4			
DOCK CHARGE	2240			20	13	14	30	3360						
	2240	2240		20	15	16	3	3360			DOCK CHARGE			
	2240	2240	2240	20	17	18	3	3360						
#5: #8 DUCK CHARGE	3360			30	19	20	25	2240			#1: #2 DUCK CHARGE			
	3360	3360		30	21	22	20	2240						
	3360	3360	3360	30	23	24	3	2240						
#7: #8 DUCK CHARGE	3360			30	25	26	20	2240			#3: #4 DUCK CHARGE			
	3360	3360		30	27	28	20	2240						
	3360	3360	3360	30	29	30	3	2240						
SUBTOTAL	13440	13440	13440					13924	13924	13924				
TOTAL PANEL LOAD	82092	0	99	AMPS			277/480V	3PH						

480V/277V/400AMP/3P/4W ELECTRICAL PANEL "AB-1"														
SERVICES	A	B	C	AMPS	CK	CK	AMPS	A	B	C	SERVICES	A	B	C
BATTERY CHARGE 1		2240		20	1	2	20	1200			WAREHOUSE LIGHT 11			
		2240		20	3	4	20	1200			WAREHOUSE LIGHT 12			
		2240	2240	20	5	6	20	1200			WAREHOUSE LIGHT 13			
BATTERY CHARGE 2		2240		20	7	8	20	2240			BATTERY CHARGE 4			
		2240	2240	20	9	10	10	2400						
		2240	2240	20	11	12	3	2240			WAREHOUSE LIGHT 11			
BATTERY CHARGE 3		2240		20	13	14	20	1200			WAREHOUSE LIGHT 12			
		2240	2240	20	15	16	20	1200			WAREHOUSE LIGHT 13			
		2240	2240	20	17	18	20	1200						
SUBTOTAL		6720	6720	6720										
TOTAL PANEL LOAD	34240	0	41	AMPS			277/480V	3PH						

EXIST ELEC. PANEL. NO WORK.

120V/208V/200AMP/3P/4W ELECTRICAL PANEL "RP-1"														
SERVICES	A	B	C	AMPS	CK	CK	AMPS	A	B	C	SERVICES	A	B	C
DUCK OUTLET	1200			20	1	2	20	1200			WAREHOUSE OUTLET 1			
DUCK OUTLET		1200		20	3	4	20	1200			WAREHOUSE OUTLET 2			
DUCK LEVEL 1			1200	20	5	6	20	1200			WAREHOUSE OUTLET 3			
DUCK LEVEL 2	1200			20	7	8	15	1200			WAREHOUSE OUTLET 4			
DUCK LEVEL 3		1200		20	9	10	15	1200			WAREHOUSE OUTLET 5			
DUCK LEVEL 4			1200	20	11	12	15	1200			FIRE ALARM			
	1200			20	13	14	20	1200			OFFICE OUTLET 1			
GARAGE DOOR OPENING		1200		20	15	16	20	1200			COUNTYTOP OUTLET			
		1200	1200	20	17	18	20	1200			OFFICE OUTLET 2			
DUCK LOW LEVEL LIGHT	1200			20	19	20	20	1200			OFFICE OUTLET 3			
DUCK LOW LEVEL OUTLET 1		1200		20	21	22	20	1200			MAN'S HAND DRYER			
DUCK LOW LEVEL OUTLET 2			1200	20	23	24	2	1200						
CONTROL CIRCUIT	1200			20	25	26	35	3640			SECOND FLOOR AC UNIT			
SECOND FLOOR OFFICE LIGHTS		1200		20	27	28	2	3640						
SECOND FLOOR FURANCE			1200	20	29	30	20	1200						
SECOND FLOOR KITCHEN OUTLET	1680			20	31	32	20	1680			WAREHOUSE OUTLET 3			
				20	33	34	20	1680			WOMAN'S HAND DRYER			
				20	35	36	2	1680						
				20	37	38	20	1200			KITCHEN OUTLET 1			
				20	39	40	20	1200			KITCHEN OUTLET 2			
				20	41	42	20	1200			KITCHEN OUTLET 3			
SUBTOTAL	7680	6000	6000											
TOTAL PANEL LOAD	50000	0	139	AMPS			277/480V	3PH						

Service Load Calculation Commercial

Address: 2700 GALVIN DRIVE, ELGIN IL
 Outside Building Dimensions: Length 378' Width 225' Floors 1_1
 ADD Length 145' Width 68' Floors 1_1

Type of Electrical Service: 400 AMP Phase 3 Wire 4 Volt 480/277 Ampere/s 400 3"
 Service Conductors 14-28-1480 Size 500 Type CU (Al.,Cu), Conduit RMC, IMC, Rigid MCM

GENERAL LIGHTING LOAD:

Square foot area per floor: 94910
 Total square foot area : 94910
 Times(1.3 Watts)per square foot 123383
 Other loads(receptacles)
 (See section 14-16-180(b)) 33 Times(180 Watts) 5,940

ADD

- (1) LP-2 EXIST SUB ELECTRICAL PANEL 480V/3PH/100A 47520
- (1) AB-1 SUB ELECTRICAL PANEL 480V/3PH/100A 19680
- (1) LP-3 NEW SUB ELECTRICAL PANEL 480V/3PH/100A 20640
- (1) RP-1 EXIST SUB ELECTRICAL PANEL 120V/1PH/200A 28912

MOTOR LOAD ON MAIN ELECTRICAL PANEL LP-1

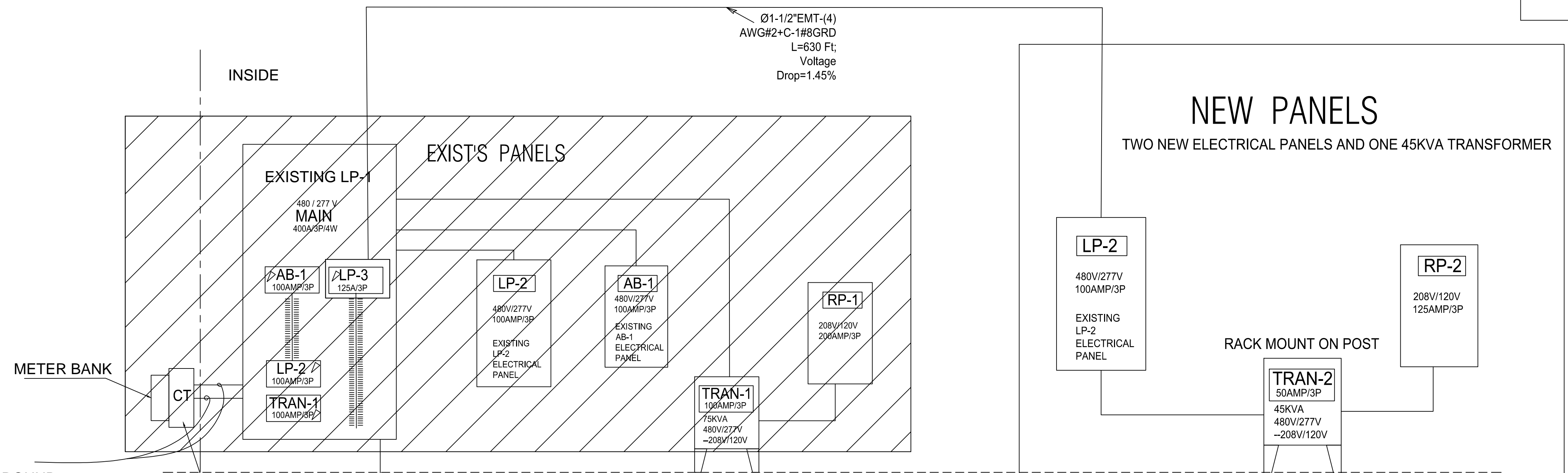
- (1) EXHAUST FAN 1 (EXISTING) 6720
- (1) EXHAUST FAN 2 (EXISTING) 6720
- (1) MAKE UP AIR UNIT (EXISTING) 6720

Total Watts: 266235 VA

TOTAL LOAD: I = W/(v x 1.732)=320 AMP

USE 400 AMP MULTIPLY BY 80% FOR CONSIDERATIONS OF CONTINUOUS LOADS, SERVICE SIZE TO BE 570 AMP 277/480V 3PH, 4WIRE

EXISTING SERVICE SIZE IS 400 AMP



1 SINGLE LINE DIAGRAM
 SCALE: N.T.S.

NOTE: THE ELECTRICAL CONTRACTOR RESPONSES TO VERIFY THESE EXISTING PANELS WIRE CONNECTIONS AND MARK OUT THE DIFFERENCE ON ELECTRICAL PANELS AS LOCAL ELECTRICAL CODE REQUIRED.

OWNER
 2700 GALVIN DRIVE
 ELGIN IL 60124

WEI TAN
 2425 S WENTWORTH AVE.
 CHICAGO IL 60616

PHONE: (312) 912-5798
 EMAIL: twarchitect98@yahoo.com

LICENSE NO: 001-022013
 EXPIRES: 11/30/2022

MFP ENGINEER
 236 W ALEXANDER STREET
 CHICAGO IL 60616

PHONE: (312) 720-8800
 BILLY_WANG68@HOTMAIL.COM
 LICENSE NO: 062.068227
 EXPIRES: 11 / 30 / 2023

INTERIOR BUILD-OUT A NEW OFFICE IN
 THE EXISTING WAREHOUSE
 2700 GALVIN DRIVE ELGIN IL 60124

EXIT SIGN&EMERGENCY LIGHTING SCHEDULE			
SYMBOL	DESCRIPTION	LAMPS	REMARKS
⊗ ⊙ ↙ ↘	BATTERY OPERATED EMERGENCY LIGHT SURE-LITES CAT. No. EAC-4201-3,9,21,24; DOUBLE PL5-5 WATT FLOURESCENT OR2XT6 1/2-20WATT INCANDESCENT		
⏏	BATTERY OPERATED EM. LIGHT SURE-LITES XR-6-C (212H6V)	12W HALOGEN	PROVIDE REMOTE LAMPS WHERE INDICATED
▽	WHEATER PROOF 8W, 6V REMOTE HALOGEN LAMP SURE-LITES 6T-8-W		
⏏	BATTERY FOR REMOTE LAMPS SURE-LITES XR-8 RATED @ 1 1/2 HRG, 54 WATTS		

ISSUES	DATE
ISSUED FOR PERMIT	10/08/2021



ELECTRICAL SINGLE LINE AND LOADING CALCULATION
 SHEET NUMBER
E1

OWNER
2700 GALVIN DRIVE
ELGIN IL 60124

WEI TAN
2425 S WENTWORTH AVE.
CHICAGO IL 60616

PHONE: (312) 912-5798
EMAIL: twarchitect98@yahoo.com

LICENSE NO: 001-022013
EXPIRES: 11/30/2022

MFP ENGINEER
236 W ALEXANDER STREET
CHICAGO IL 60616

PHONE: (312)720-8800
BILLY_WANG68@HOTMAIL.COM
LICENSE NO: 062.068227
EXPIRES: 11 / 30 / 2023

INTERIOR BUILD-OUT A NEW OFFICE IN
 THE EXISTING WAREHOUSE
 2700 GALVIN DRIVE ELGIN IL 60124

ISSUES	DATE
ISSUED FOR PERMIT	10/08/2021



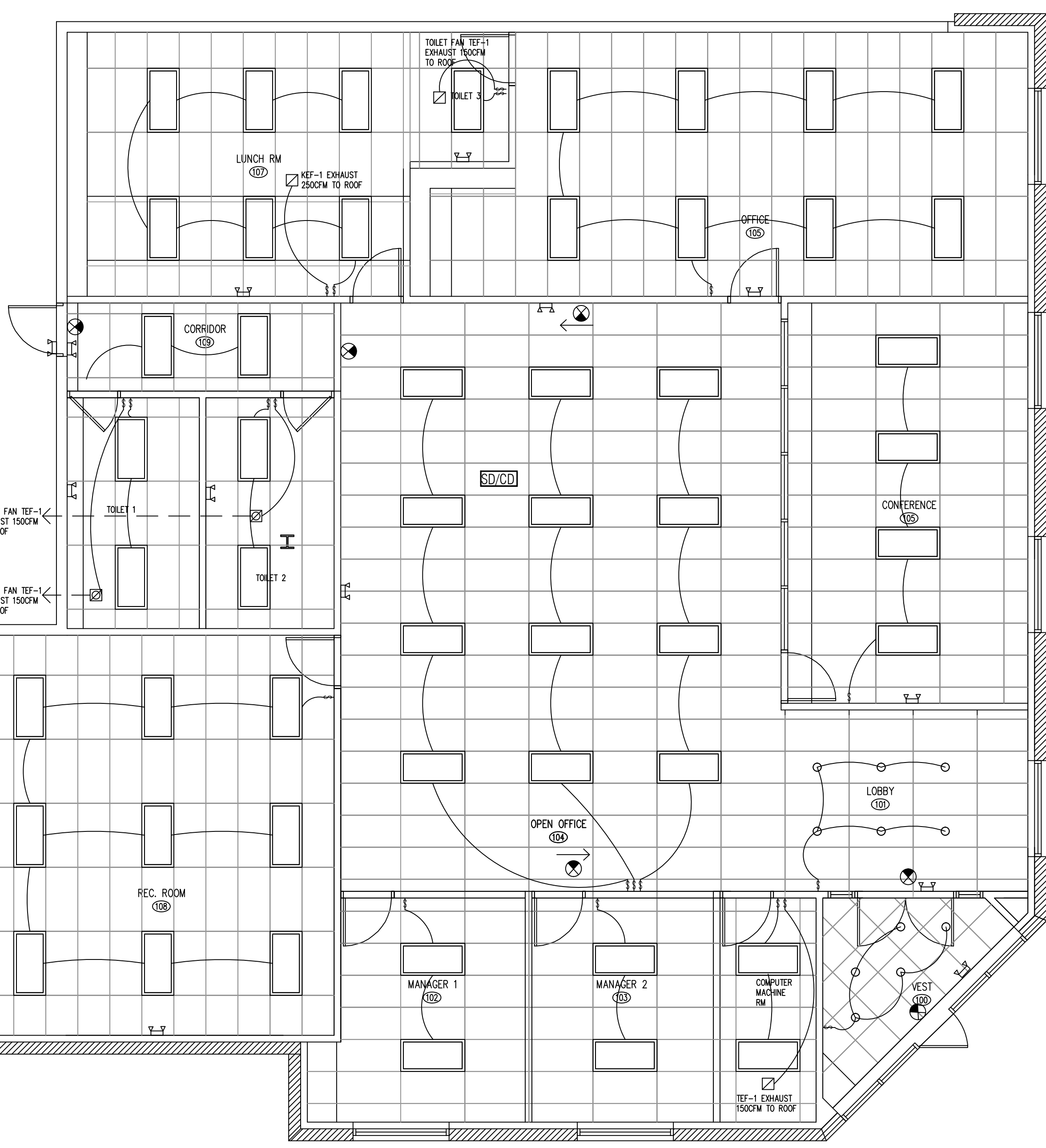
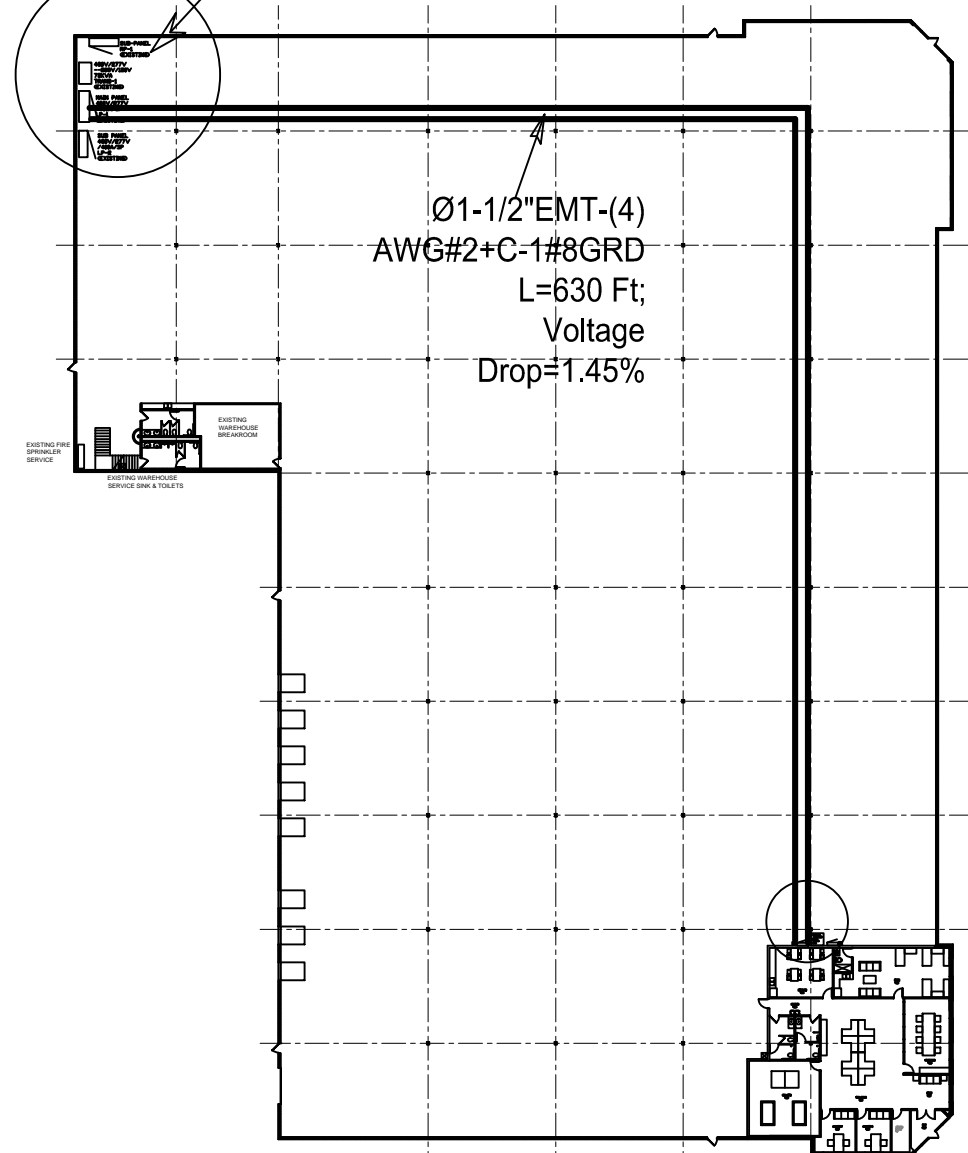
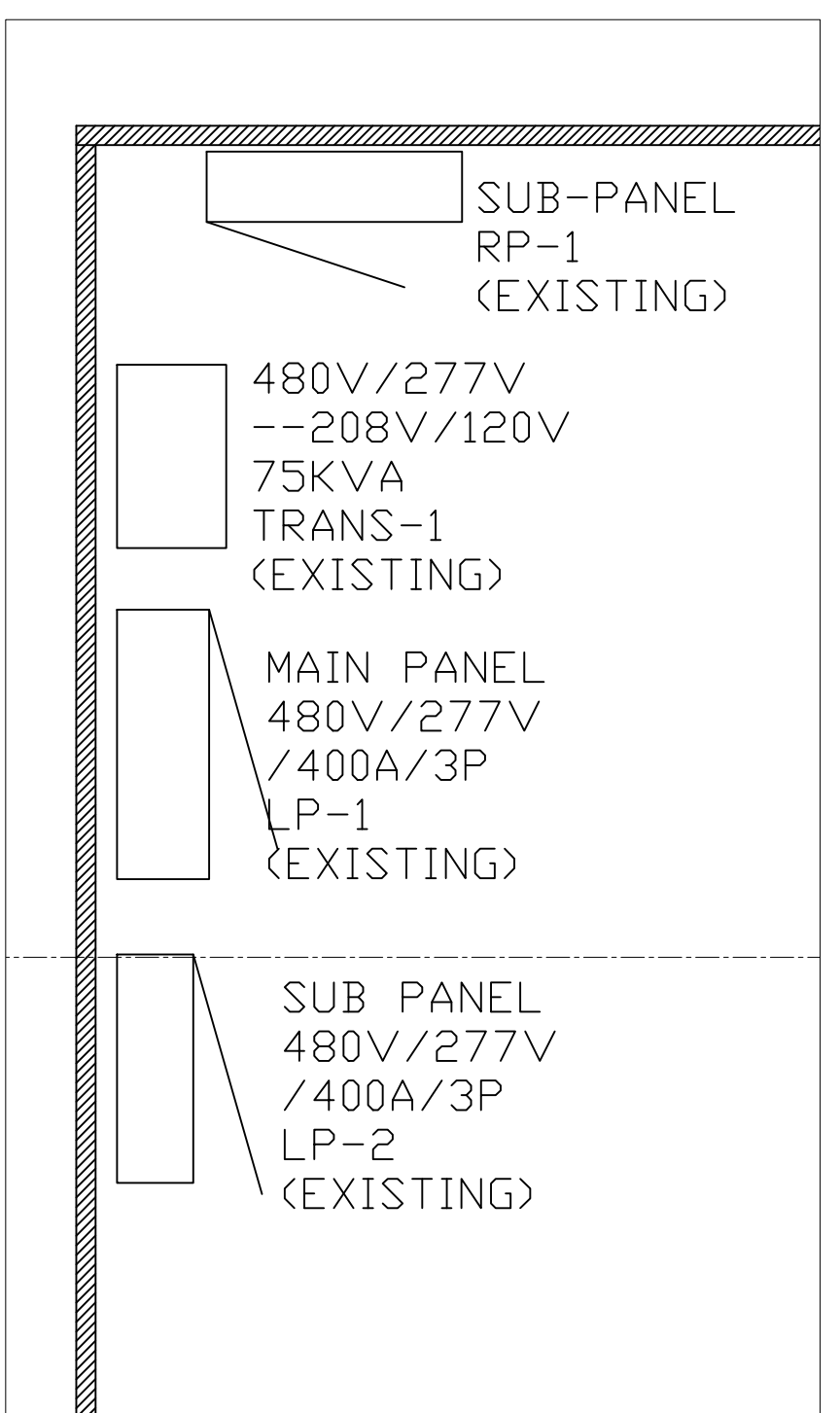
**ELECTRICAL
POWER AND
LIGHTING
PLAN**

SHEET NUMBER

E2

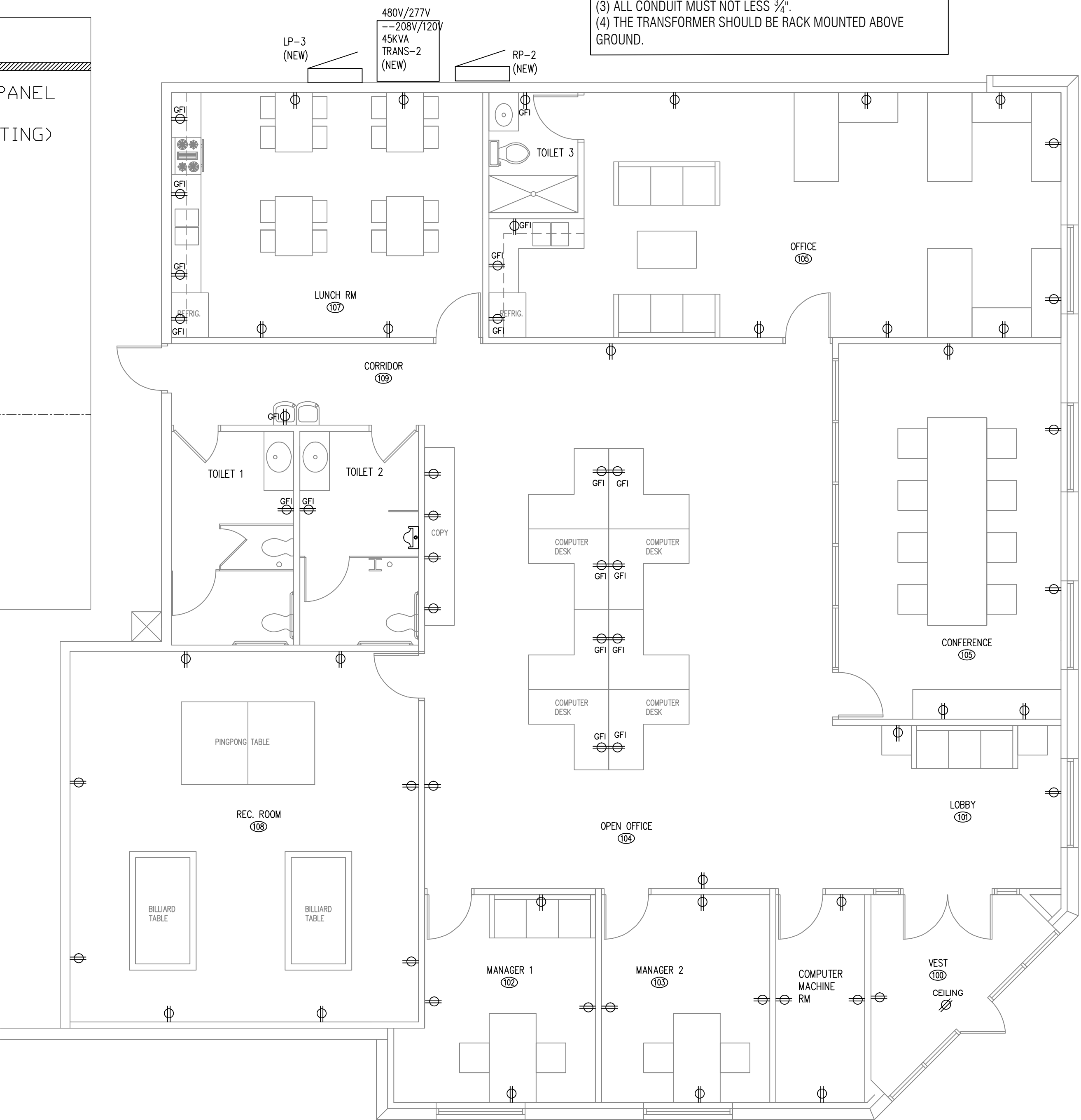
480V/277V/125AMP/3P/4W ELECTRICAL PANEL "LP-3"												
SERVES	A	B	C	AMPS	CK	CK	AMPS	A	B	C	SERVES	
TRANS-2	6400	6400	6400	50	1	2	20					
					3	4	20					
					5	6	20					
RTU-1	5600	5600	5600	35	7	8	20					
					9	10	20					
					11	12	20					
SUBTOTAL	12000	12000	12000	20	13	14	20					
					15	16	20					
					17	18	20					
TOTAL PANEL LOAD	36000	0	43	AMPS	277/480V	3 PH						

SPECIAL NOTE:
 (1) ALL LIGHTING FIXTURE USING LED TYPE FOR ENERGY SAVING.
 (2) ALL RECEPTACLES MUST 20A; COMMERCIAL GRADE
 (3) ALL CONDUIT MUST NOT LESS 3/4".
 (4) THE TRANSFORMER SHOULD BE RACK MOUNTED ABOVE GROUND.



B LIGHTING & EMERGENCY PLAN
 SCALE 3/16"=1'-0"

NEW 120V/208V/200AMP/3P/4W ELECTRICAL PANEL "RP-2"												
SERVES	A	B	C	AMPS	CK	CK	AMPS	A	B	C	SERVES	
OFFICE LIGHT		1500		15	3	2	15	1500			MANAGER ROOM LIGHT	
OFFICE RECEPTACLE			2500	20	5	6	15		2500		MANAGER ROOM OUTLET	
OFFICE REFRIGERANT 1	2000			20	7	8	20	1500			CONFERENCE LIGHT	
OFFICE REFRIGERANT 2		2000		20	9	10	15		600		CONFERENCE OUTLET	
LUNCH RM/CORRIDOR LIGHT			1500	15	11	12	20			2500	TOILET ROOM LIGHT	
LUNCH RM RECEPTACLES	1200			20	13	14	20	2000			TOILET ROOM OUTLET	
COPY MACHINE OUTLET		2500		20	15	16	20		1240		DRINK TANK OUTLET	
COMPUTER DESK OUTLET 1			1500	20	17	18	20			1250	ROOF TOP OUTLET	
COMPUTER DESK OUTLET 2	1500			20	19	20	20				OUTSIDE BUILDING OUTLET	
COMPUTER DESK OUTLET 3		1500		20	21	22	20					
REC. ROOM LIGHT			1500	15	23	24	20					
REC. ROOM OUTLET	1200			20	25	26	20					
COMPUTER MACHINE ROOM LIGHT		1500		15	27	28	20					
COMPUTER MACHINE ROOM OUTLET 1			2300	20	29	30	20					
COMPUTER MACHINE ROOM OUTLET 2	2300			20	31	32	20					
COMPUTER MACHINE ROOM OUTLET 3		2500		20	33	34	20					
COMPUTER MACHINE ROOM OUTLET 4			2500	20	35	36	20					
				20	37	38	20					
				20	39	40	20					
				20	41	42	20					
SUBTOTAL	8200	11500	11800					5000	4340	5250		
TOTAL PANEL LOAD	46090	0	128	AMPS				277/480V	3 PH			



A POWER PLAN
 SCALE 3/16"=1'-0"

OWNER
2700 GALVIN DRIVE
ELGIN IL 60124

WEI TAN
2425 S WENTWORTH AVE.
CHICAGO IL 60616

PHONE: (312) 912-5798
EMAIL: twarchitect98@yahoo.com
LICENSE NO. 001-022013
EXPIRES: 11/30/2022

MEP ENGINEER
236 W ALEXANDER STREET
CHICAGO IL 60616

PHONE: (312) 720-8800
BILLY_WANG68@HOTMAIL.COM
LICENSE NO. 062.068227
EXPIRES: 11 / 30 /2023

INTERIOR BUILD-OUT A NEW OFFICE IN
 THE EXISTING WAREHOUSE
 2700 GALVIN DRIVE ELGIN IL 60124

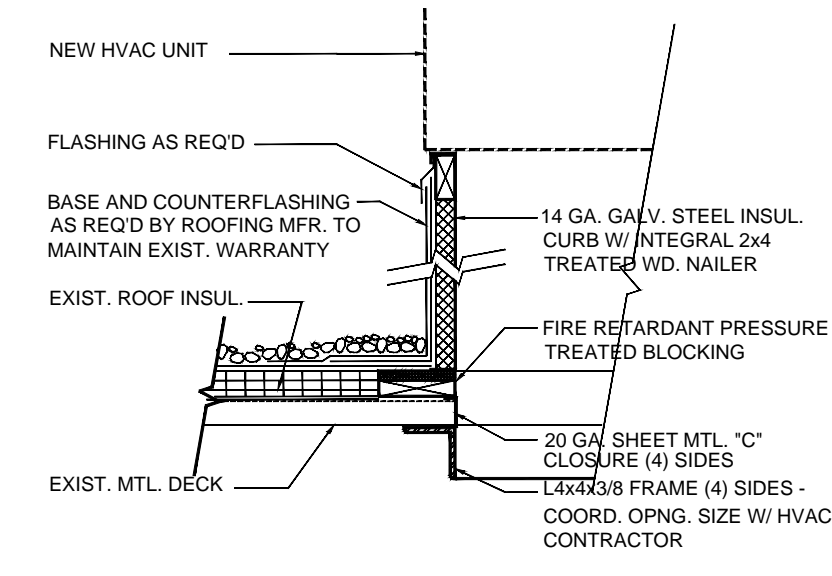
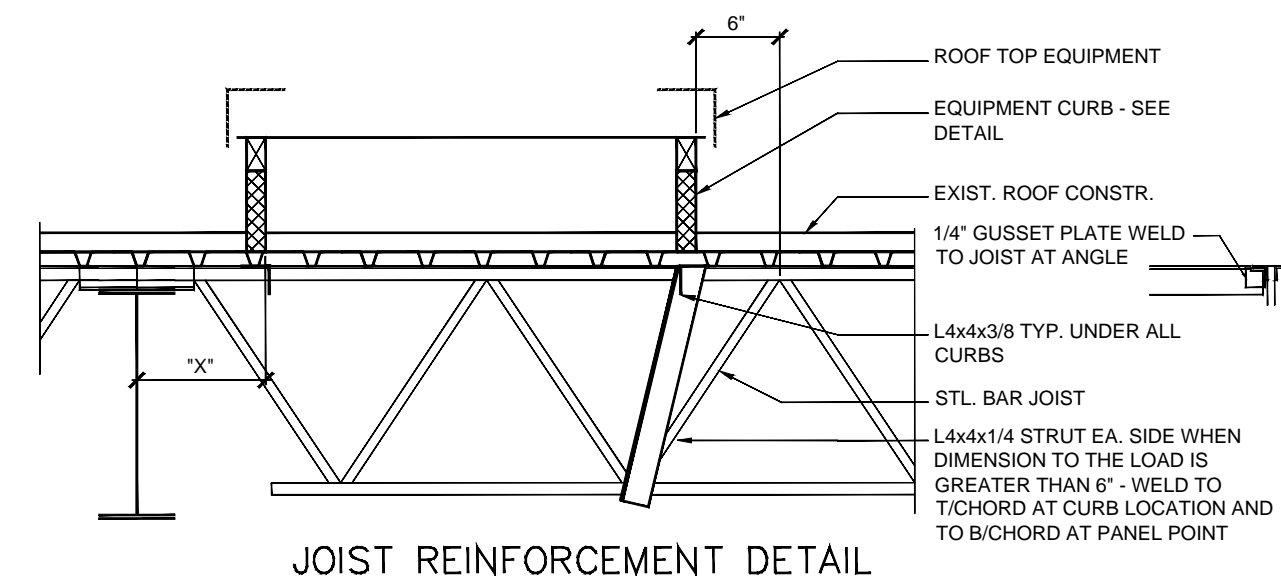
ISSUES	DATE
ISSUED FOR PERMIT	10/08/2021



**NEW OFFICE
MECHANICAL
PLAN & NOTES**

SHEET NUMBER

M1



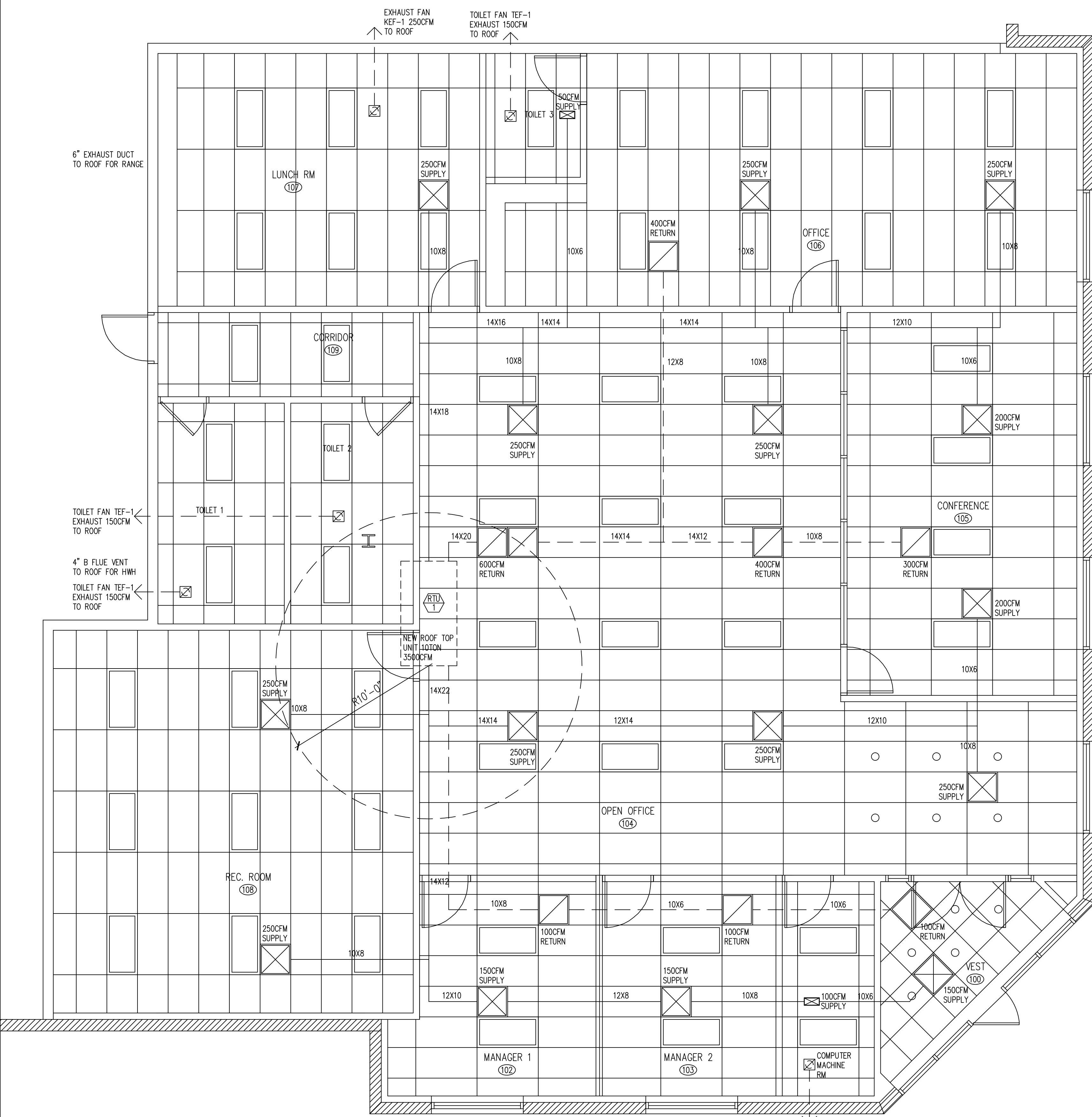
TAG	MANUF.	MODEL	TYPE	FACE SIZE L X W	FRAME TYPE
A	TITUS OR EQUAL	OMNI-AA	SUPPLY W/ INTEGRAL DAMPER	24" x 24"	DIRECT
B	TITUS OR EQUAL	PXP	RETURN W/ OPPOSED BLADE DAMPER	24" x 24"	DIRECT

TAG	DESCRIPTION	QTY	LOCATION	REF. USED	WT. OF REF. LBS	RATED (TONS)	HP	NO. OF COMP	REMOTE/ SELF CONTAINED	WATER COOLED	AIR COOLED
RTU-1	NEW	1	ROOF	R-410A	10LBS	10	1	1	SELF CONTAINED	-	YES

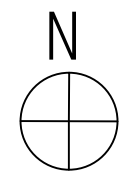
TAG	QUAN	LOCATION	MANUFACTURER	MODEL	CFM	VOLTAGE	HP	MOP	
TEF-1	4	ROOF	BY OWNER	BY OWNER	150	1PH	1/20	20AMP	TOILET ROOM EXH
RTU-1	1	ROOF	BY OWNER	BY OWNER	3500	3PH	3	60AMP	210,000 BTU INPUT
KEF-1	1	ROOF	BY OWNER	BY OWNER	250	1PH	1/20	20AMP	LUNCH RM

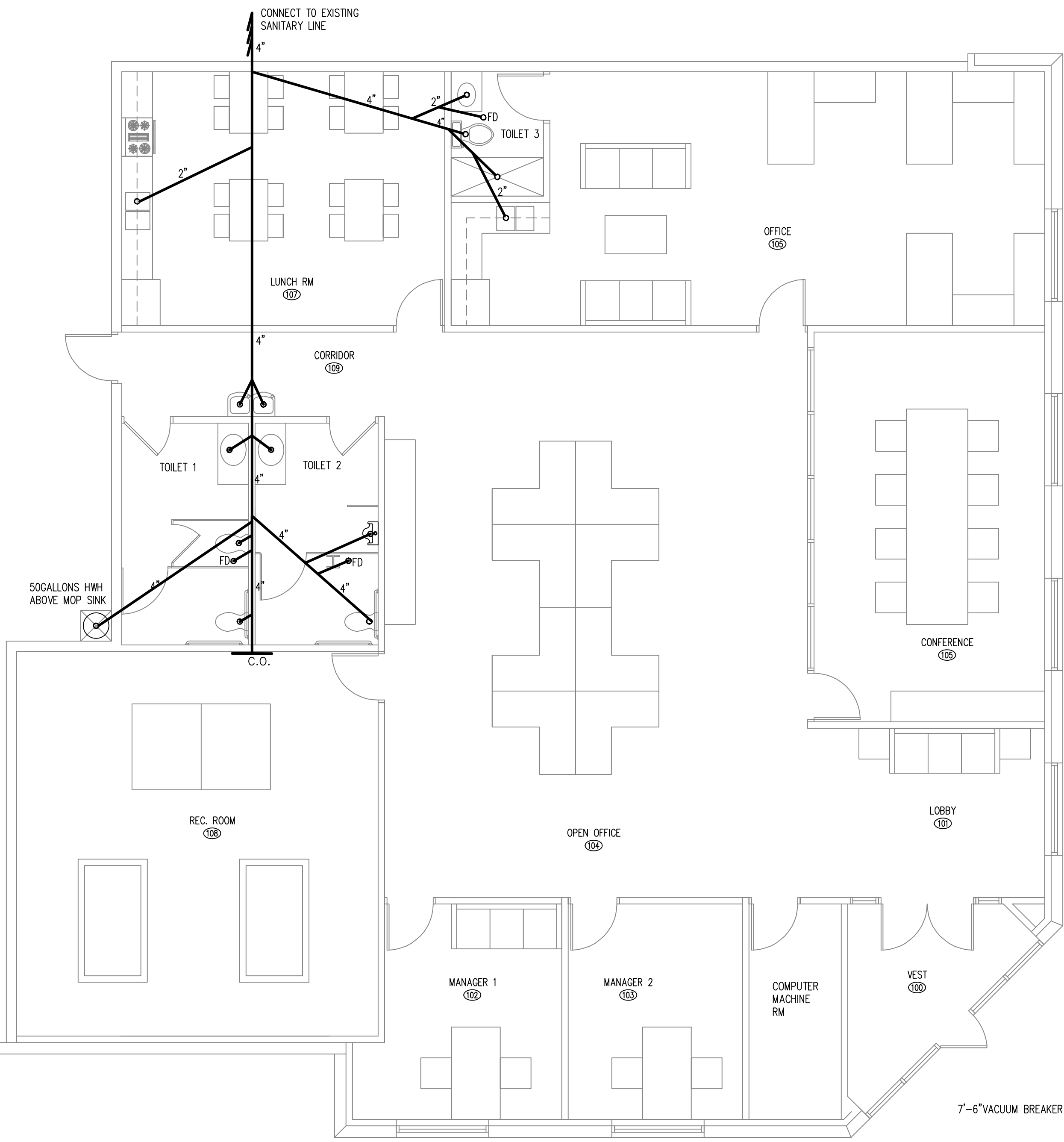
ROOM NUMBER	ROOM NAME	AREA SQ FT	CODE 403.3		MECHANICAL VENTILATION		HEAT LOSS BASED ON ASHRAE	HEATING PROVIDED		
			FRESH AIR	EXHAUST	ACTUAL PROVIDED	EXHAUST				
NEW OFFICE AREA										
001	VESTIBULE	94	14		150	50	100	3290	RTU-1	
002	MANAGER RM1	172	4		150	50	100	8020	RTU-1	
003	MANAGER RM2	158	4		150	50	100	5530	RTU-1	
004	OPEN OFFICE	1185	30		1250	396	1000	41475	RTU-1	
005	CONFERENCE RM	375	94		400	132	300	13125	RTU-1	
006	OFFICE	580	14		500	165	400	20300	RTU-1	
007	LUNCH RM	346	62	242	250	100		250	12110	RTU-1
008	REC. ROOM	588	176		500	165			20580	RTU-1
009	CORRIDOR	94	NR							RTU-1
010	TOILET 1	120	NR	140				150		RTU-1
011	TOILET 2	116	NR	140				150		RTU-1
012	TOILET 3	48	NR	70				150		RTU-1
013	COMPUTER RM	84	25		100	33		150	2940	RTU-1
TOTAL		3960	398	592	3500	1155	2000	125370	168,000	

- MECHANICAL NOTES:**
- ALL MECHANICAL WORK SHALL BE INSTALLED IN STRICT ACCORDANCE WITH PROPER REQUIREMENTS, STATE, LOCAL AND FEDERAL CODES, LAWS AND REGULATIONS.
 - PROVIDE AND INSTALL HEATING/COOLING THERMOSTATS AS SHOWN ON PLANS. SUBMIT AND REVIEW WITH ARCHITECT PRIOR TO CONSTRUCTION. ALL CONTROLS SHALL BE PROVEN BY ACTUAL FIELD TESTING IN THE PRESENCE OF THE ARCHITECT OR HIS REPRESENTATIVE.
 - CONTRACTOR TO VERIFY THAT ALL MECHANICAL UNITS, PLUMBING FIXTURES AND APPLIANCES CAN BE DELIVERED AND INSTALLED ON THE SITE AND ACCESSED FOR MAINTENANCE AND REPAIR AS WELL AS ACCEPTING THE WORK OF OTHER TRADES.
 - ALL SUPPLY/RETURN DUCTWORK TO BE GALVANIZED DUCTWORK TO BE IN ACCORDANCE WITH SMACNA AND BOCA CODES. PROVIDE BALANCING DAMPERS AT EACH BRANCH DUCT TAKE-OFF FROM MAIN DUCTWORK. PROVIDE LOCKING DEVICES FOR EACH DAMPER. AIR IN ALL ROOMS TO HEATED TO AN INSIDE TEMPERATURE OF 70 DEGREES FAHRENHEIT WHEN THE OUTSIDE TEMPERATURE IS -10 DEGREES FAHRENHEIT.
 - INSULATE SUPPLY DUCTS IN UNCONDITIONED PLENUM W/2" BATT INSULATION. FLEXIBLE AIR DUCTS SHALL BE A MAXIMUM OF 5'-0" IN LENGTH. ALL SUPPLY OPENINGS TO BE A MINIMUM OF 10'-0" FROM ANY AND ALL EXHAUST OPENINGS. NOISE AT THE LOT LINE SHALL NOT EXCEED 55 DECIBELS ON THE "A" SCALE.
 - ALL FLUES SHALL BE CLASS "B" AND EXTEND 4'-0" ABOVE ROOF. SMOKE DETECTORS AND CARBON MONOXIDE DETECTORS ARE SHOWN ON DRAWINGS.
 - ALL FRESH AIR INTAKE OPENINGS SHALL BE A MIN. OF 10'-0" AWAY FROM ANY EXHAUST OR POINT OF CONTAMINATED DISCHARGE. ALL EXHAUST FANS TO BE AS MFD. BY OWNER. ALL GRILLES AND REGISTERS TO BE BY TITUS OR APPROVED. ALL GRILLES MAX 9" FROM WALL. GAS PIPING GREATER THAN 2" INSIDE DIAMETER OR CARRYING MORE THAN 5 POUNDS (PSIG) SHALL BE SCHEDULE 40 BLACK PIPE WITH STANDARD WELLED FITTINGS.



A MECHANICAL PLAN
SCALE 1/4" = 1'-0"



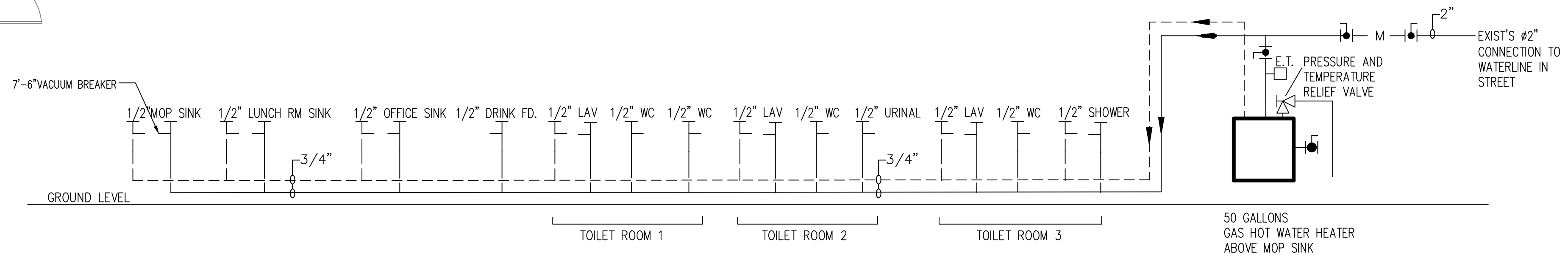


A PLUMBING PLAN
SCALE 3/16" = 1'-0"

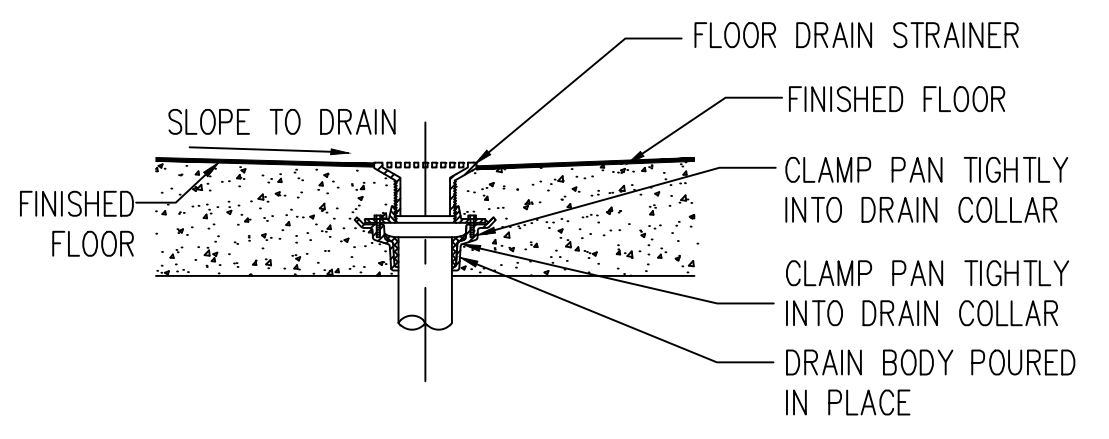
- PLUMBING NOTES**
1. ALL PLUMBING FIXTURES AND INSTALLATIONS ARE TO COMPLY WITH THE LOCAL CITY BUILDING CODE AND STATE OF ILLINOIS PLUMBING REQUIREMENTS.
 2. ALL PLUMBING ROUGH-INS MUST BE INSPECTED AND APPROVED BY THE CITY OF PLUMBING INSPECTION SERVICE DEPT. BEFORE DRYWALL IS HUNG IN CHASE AREAS.
 3. ALL PLUMBING FIXTURES MUST BE TESTED BY THE PLUMBING CONTRACTOR BEFORE DRYWALL IS HUNG IN CHASE AREAS.
 4. PLUMBING CONTRACTOR MUST GO TO THE WATER DEPT. PRIOR TO THE START OF CONSTRUCTION AND MAKE SPECIFIC ARRANGEMENTS AND/OR SERVICE REQUIRES FOR BUILDING HOOK-UP.
 5. UNDER SLAB WASTE PIPING SHALL FOLLOW PLUMBING CODE AND WATER SUPPLIES SHALL BE K COPPER. ABOVE SLAB WASTE AND VENT PIPING SHALL FOLLOW PLUMBING CODE AND WATER SUPPLIES SHALL BE L COPPER.
 6. CONTRACTOR SHALL DO ALL NECESSARY CUTTING AND PATCHING, AND SHALL PROVIDE ALL EQUIPMENT AND PIPE SUPPORTS. VALVE SHUT-OFFS ARE REQUIRED FOR EACH FIXTURE, EACH RISER, AND BETWEEN BRANCHES AND HOT WATER HEATER.
 7. VENT FLUES ARE TO EXTEND 2'-0" MINIMUM ABOVE THE ROOF. PROVIDE AND INSTALL AN INDIVIDUAL GAS SHUT-OFF VALVE WITH LEVER HANDLE, DIRT LEG AND UNION AT EACH PIECE OF GAS-FIRED EQUIPMENT.
 8. NEW GAS PIPING SHALL BE SCHEDULE 40 BLACK STEEL ASTM A-120, WITH MALLEABLE FITTINGS. INSULATE HOT WATER PIPING W/2" PIPE INSULATION. ALL RISERS SHALL HAVE 2'-0" AIR CHAMBERS. ALL FIXTURES SHALL HAVE 1'-0" AIR CHAMBERS.

FIXTURE	MODEL	MODEL NO / REMARKS
WATER CLOSET	KOHLER	ADA COMPLAINT FLOOR MOUNTED
LAVATORY	KOHLER	ADA COMPLAINT WALL MOUNTED
FAUCET	KOHLER	ADA COMPLAINT ASME/ANSI 116/117 COMPLAINT SET TO 110F MAX
URINAL	KOHLER	ADA COMPLAINT WALL MOUNTED
TEMPERING VALVE	WATTS	1170-M2
TOILET PAPER DISPENSER	BOBRICK	B5288 ADA
GRAB BARS	BOBRICK	B66806 SERIES, 36" AND 42"
SOAP DISPENSER	BOBRICK	B82216 SURFACE MOUNTED
MIRROR	BOBRICK	B-165 (ADA COMPLAINT)
TRASH RECEPTACLE	BOBRICK	B-275 WALL MOUNTED
HAND DRYER	WORLD DRYER	WA126-2 P/MHC WHITE AIRSPEED SURFACE MOUNTED MOUNT
		38" AFF FOR ACCESSIBILITY

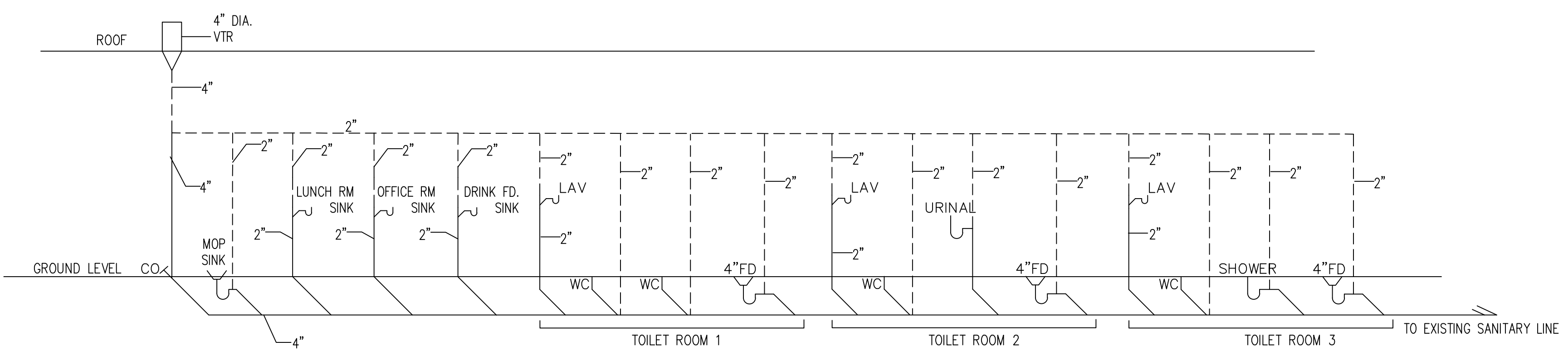
FIXTURE	MANUF	MODEL NO / REMARKS	QUANTITIES
WATER CLOSET	BY OWNER	BY OWNER	4
LAVATORY	BY OWNER	BY OWNER	3
URINAL	BY OWNER	BY OWNER	1
KITCHEN SINK	BY OWNER	BY OWNER	1
OFFICE BAR SINK	BY OWNER	BY OWNER	1
HOT WATER HEATER	BY OWNER	50 GALLON	1
DRINK FD.	BY OWNER	BY OWNER	2
MOP SINK	BY OWNER	BY OWNER	1
TOTAL			15



C SUPPLY RISER DIAGRAM
NOT TO SCALE



D TYP. FLOOR DRAIN DETAIL
NOT TO SCALE



B WASTE RISER DIAGRAM
NOT TO SCALE

OWNER
2700 GALVIN DRIVE
ELGIN IL 60124

WEI TAN
2425 S WENTWORTH AVE.
CHICAGO IL 60616

PHONE: (312) 912-5798
EMAIL: twarchitect98@yahoo.com

LICENSE NO: 001-022013
EXPIRES: 11/30/2022

MFP ENGINEER
236 W ALEXANDER STREET
CHICAGO IL 60616

PHONE: (312)720-8800
BILLY_WANG68@HOTMAIL.COM
LICENSE NO: 062.068227
EXPIRES: 11 / 30 /2023

INTERIOR BUILD-OUT A NEW OFFICE IN
 THE EXISTING WAREHOUSE
 2700 GALVIN DRIVE ELGIN IL 60124

ISSUES	DATE
ISSUED FOR PERMIT	10/08/2021



PLUMBING PLAN & NOTES

SHEET NUMBER
P1